

PARTS CATALOG 2006



1300 ARIZONA PLACE • PO BOX 227
ORANGE CITY, IOWA • 51041
800-658-3866 • WWW.SILENTDRIVE.COM

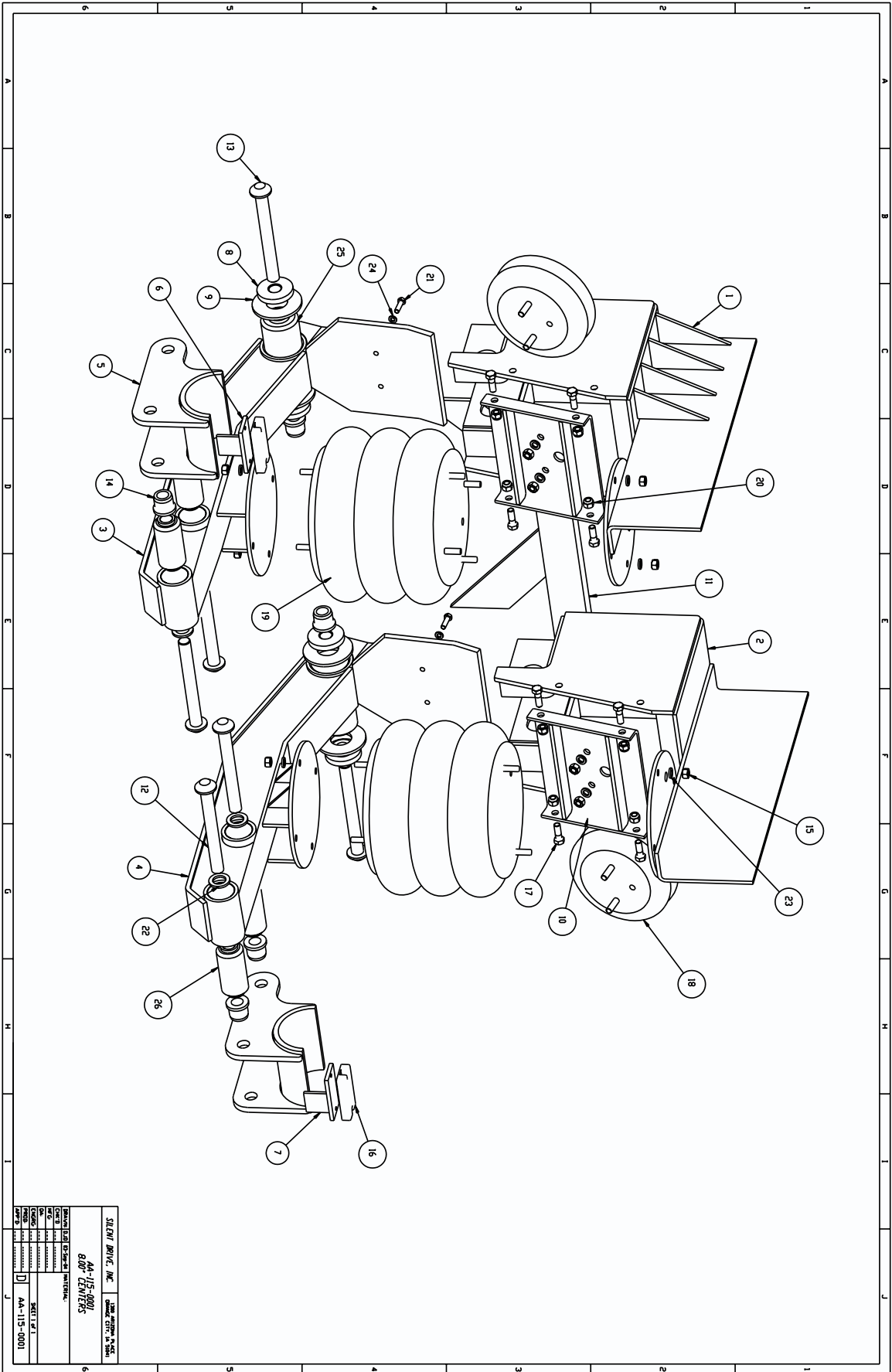
TABLE OF CONTENTS

AIR UP - AIR DOWN NON-STEER

AA-115 – 8.00” Centers	1
AA-115 – 4.00” Centers	3
AA-121 April 2002 – Present	5
AA-121 Pre April 2002	7
AA-135	9
AA-230-INB-L	11
AA-230-INB-U	13
AA-230-OTB	15
AA-235	17
AA-240	19
AA-270	21
AA-1355	23
AA-1455 1998 – Present	25
AA-1455 1997 – 1998	27
AA-1455 1992 – 1998	29
AA-1955	31
AA-270-TR	33
AA-290-TR	35
AA-1155-TR	37
AA-1255-TR	39
LT8	41
Air Controls	43
Airsprings	44
Fabricated Axle	45

AA-1 15 Suspension - 8.00" Centers

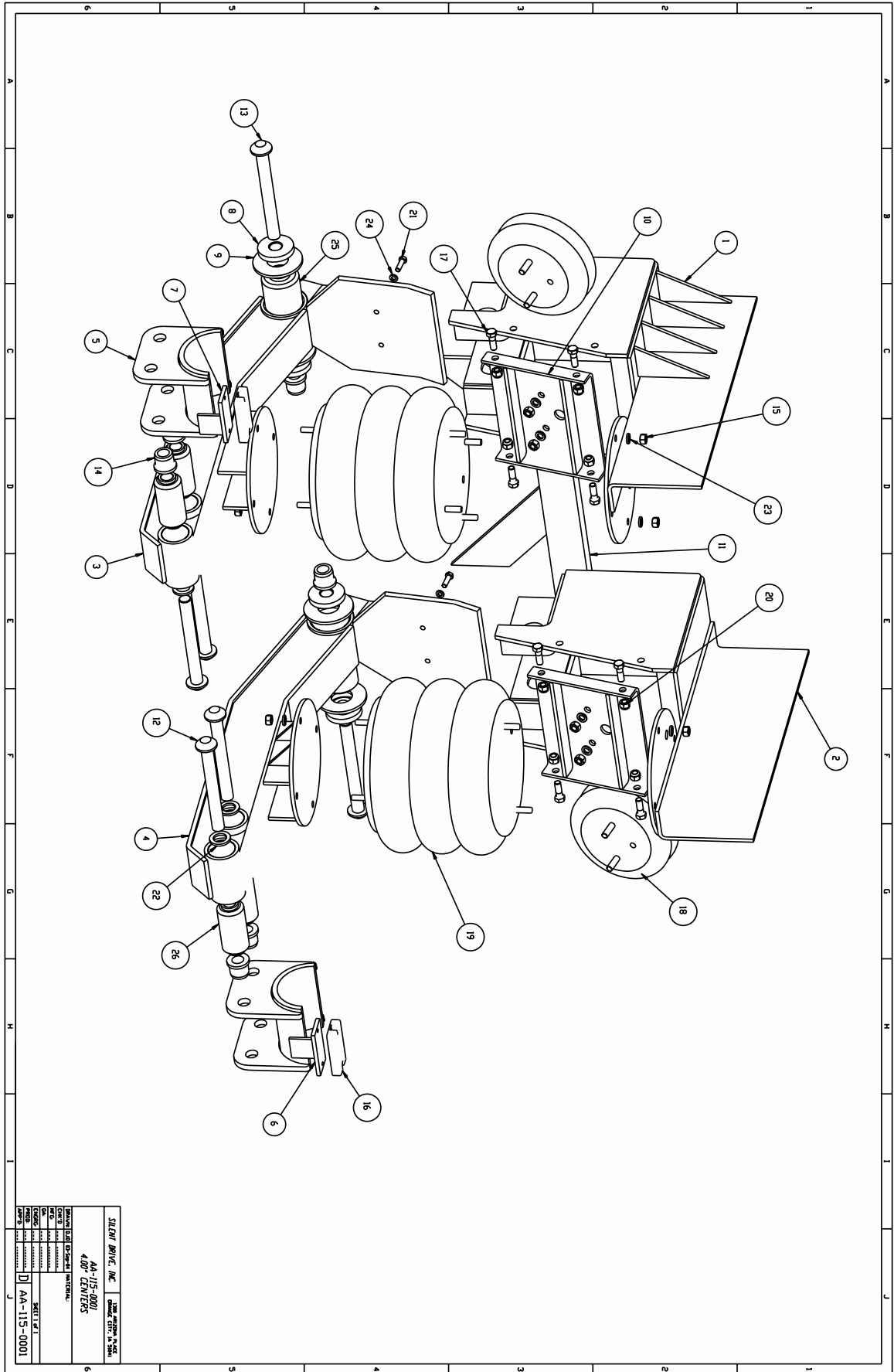
	PART NO:	QUANTITY	DESCRIPTION
26	PB-5000	4	Axle Seat Bushings
	PB-5000K	1	4 Axle Seat Bushings, Bolts, & Lock Nut
25	PB-3000	2	Pull Arm Bushing
	PB-3000K	1	2 Pull Arm Bushings, Bolts,
			Lock Nuts & 4 Wear Washers
24	LW 38ZV	4	3/8" Lock Washer
23	LW 12ZV	12	1/2" Lock Washer
22	HWX18	4	1 1/8" Washer
21	HCC6 20Z	4	3/8-16 UNC x 1 1/4" HHCS Gr. 5
20	CLN12CCW	8	1/2-13 Lock Nut
19	AS-7800	2	Airspring, Suspension
18	AS-6882	2	Lift Airspring
17	ACC8 24ZD	8	1/2-13 UNC x 1 1/2" HHCS Gr 8
16	AB-1200K	1	Axle Bumper Kit
15	8C8DZD	12	1/2-13 UNC Hex Nut Gr. 8
14	100RXSC5	6	Huck Spin Collar
13	100R662XST8	2	1"x 9 1/4" Huck Bolt
12	100R618XST8	4	1" x 8 3/4" Huck Bolt
	AC1 95K	2	1 Repl. Pull Arm Bolt, Lock Nut, Washer
	HSB1 8A490K	4	1 Repl. Axle Seat Bolt, Lock Nut, Washer
11	1755-6000	1	Cross Member
10	1755-2500	2	Plate, Lift Airspring Cover
9	1750-1011	4	Pull Arm Hardened Washer
8	421-01-9000	4	Collar, Sliding Alignment
7	115-6200	1	Bracket, Axle Stop
6	115-6100	1	Bracket, Axle Stop
5	115-5010	2	Axle Seat Assembly
4	115-4010K	1	RH Pull Arm Assembly
3	115-3010K	1	LH Pull Arm Assembly
[Pull Arm Assemblies Include all Bushings, Bolts, Wear Washers and Nuts]			
2	115-2000K	1	RH Hanger Assembly
1	115-1000K	1	LH Hanger Assembly
[Hanger Assemblies Include Two Sliding Alignment Collars]			



SILVER DRIVE, INC.		QUANT. ORDER NO. 255
AA-115-0001		QUANT. ORDER NO. 255
800 LENSES		
REV.	DATE	DESCRIPTION
1		
2		
3		
4		
5		
6		
AA-115-0001		SHEET 2 OF 2

AA-1 15 Suspension - 4.00" Centers

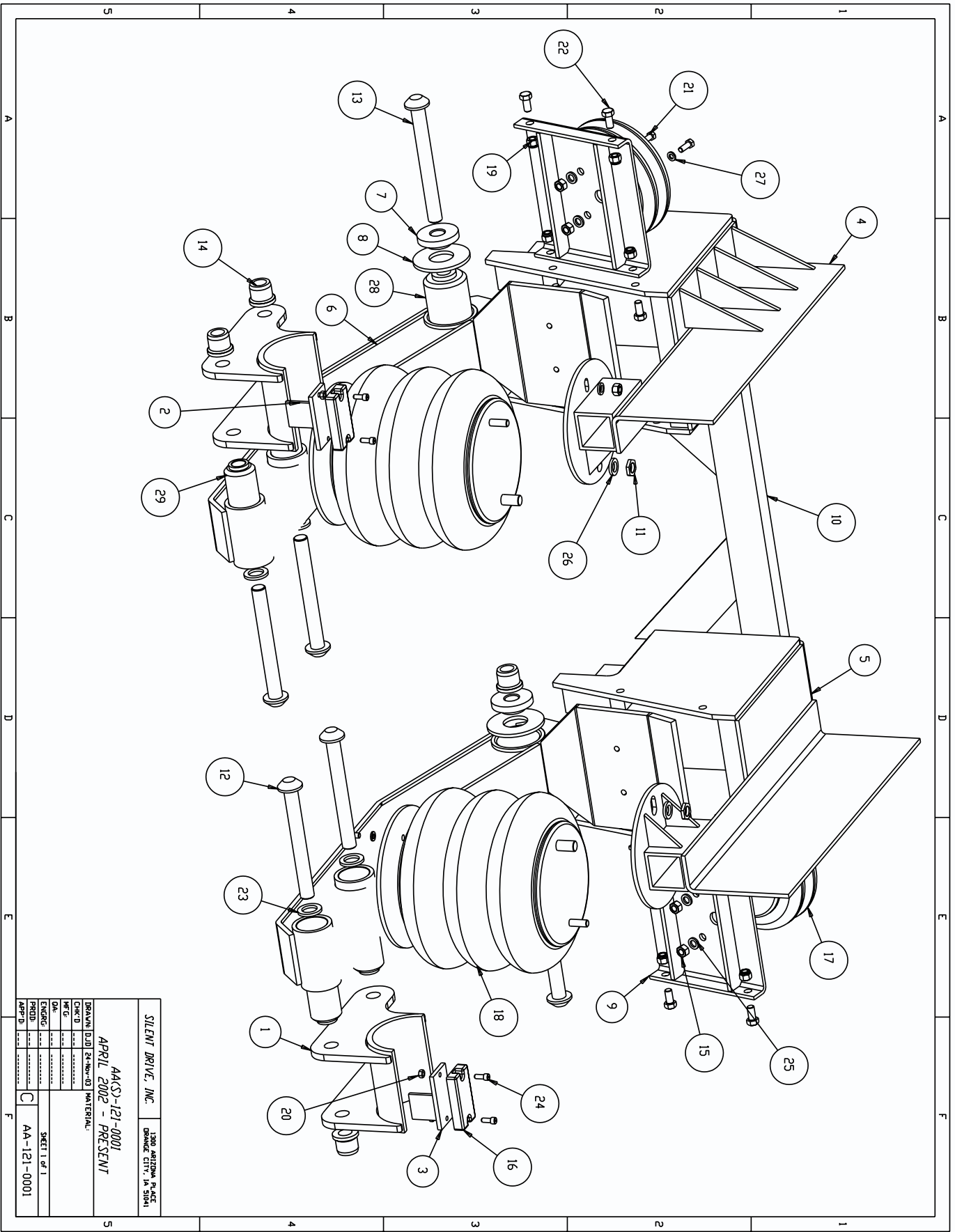
	PART NO:	QUANTITY	DESCRIPTION
26	PB-5000	4	Axle Seat Bushings
	PB-5000K	1	4 Axle Seat Bushings, Bolts, & Lock Nut
25	PB-3000	2	Pull Arm Bushing
	PB-3000K	1	2 Pull Arm Bushings, Bolts,
			Lock Nuts & 4 Wear Washers
24	LW 38ZV	4	3/8" Lock Washer
23	LW 12ZV	12	1/2" Lock Washer
22	HWX18	4	1 1/8" Washer
21	HCC6 20Z	4	3/8-16 UNC x 1 1/4" HHCS Gr. 5
20	CLN12CCW	8	1/2-13 Lock Nut
19	AS-7800	2	Airspring, Suspension
18	AS-6882	2	Lift Airspring
17	ACC8 24ZD	8	1/2-13 UNC x 1 1/2" HHCS Gr 8
16	AB-1200K	1	Axle Bumper Kit
15	8C8DZD	12	1/2-13 UNC Hex Nut Gr. 8
14	100RXSC5	6	Huck Spin Collar
13	100R662XST8	2	1"x 9 1/4" Huck Bolt
12	100R618XST8	4	1" x 8 3/4" Huck Bolt
	AC1 95K	2	1 Repl. Pull Arm Bolt, Lock Nut, Washer
	HSB1 8A490K	4	1 Repl. Axle Seat Bolt, Lock Nut, Washer
11	1755-6000	1	Cross Member
10	1755-2500	2	Plate, Lift Airspring Cover
9	1750-1011	4	Pull Arm Hardened Washer
8	421-01-9000	4	Collar, Sliding Alignment
7	115-6200	1	Bracket, Axle Stop
6	115-6100	1	Bracket, Axle Stop
5	115-5000	2	Axle Seat Assembly
4	115-4000K	1	RH Pull Arm Assembly
3	115-3000K	1	LH Pull Arm Assembly
(Pull Arm Assemblies Include all Bushings, Bolts, Wear Washers and Nuts)			
2	115-2000K	1	RH Hanger Assembly
1	115-1000K	1	LH Hanger Assembly
(Hanger Assemblies Include Two Sliding Alignment Collars)			



AA-121 Suspension

April 2002 - Present

	PART NO:	QUANTITY	DESCRIPTION
29	PB-5000	4	Axle Seat Bushings
	PB-5000K	1	4 Axle Seat Bushings, Bolts, & Lock Nut
28	PB-3000	2	Pull Arm Bushing
	PB-3000K	1	2 Pull Arm Bushings, Bolts,
			Lock Nuts & 4 Wear Washers
27	LW 38ZV	8	3/8" Lock Washer
26	LW 34ZV	2	3/4" Lock Washer
25	LW 12ZV	6	1/2" Lock Washer
24	KSC516	6	4 Socket Head Cap Screw, 5/16"-18 x 3/4"
23	HWX18	4	1 1/8" Washer 0.50 \$ EA
22	HCC8 16Z	8	1/2-13 x 1" HX Cap GR. 5
21	HCC6 16Z	8	Bolt, 3/8"-16 x 1" HX Cap Gr. 5 Z
20	CLN516C	4	5/16-18 UTC Lock Nut
19	CLN12CCW	8	1/2-13 Lock Nut
18	AS-8027	2	Airspring, Suspension
17	AS-6882	2	Lift Airspring
16	AB-1200K	1	Axle Bumper Kit
15	8C8DZD	6	1/2-13 UNC Hex Nut Gr. 8
14	100RXSC5	6	Huck Spin Collar
13	100R662XST8	2	1"x 9 1/4" Huck Bolt
12	100R618XST8	4	1" x 8 3/4" Huck Bolt
	AC1 95K	2	1 Repl. Pull Arm Bolt, Lock Nut, Washer
	HSB1 8A490K	4	1 Repl. Axle Seat Bolt, Lock Nut, Washer
11	341248	2	Nut, Jam 3/4"-16
10	1755-6000	1	Cross Member
9	1755-2500	2	Plate, Lift Airspring Cover
8	1750-1011	4	Pull Arm Hardened Washer
7	421-01-9000	4	Collar, Sliding Alignment
6	121-3010K	2	Pull Arm Assembly
(Pull Arm Assemblies Include all Bushings, Bolts, Wear Washers and Nuts)			
5	121-2000K	1	RH Hanger Assembly
4	121-1000K	1	LH Hanger Assembly
(Hanger Assemblies Include Two Sliding Alignment Collars)			
3	115-6200	1	Bracket, Axle Stop
2	115-6100	1	Bracket, Axle Stop
1	115-5010	2	Axle Seat Assembly

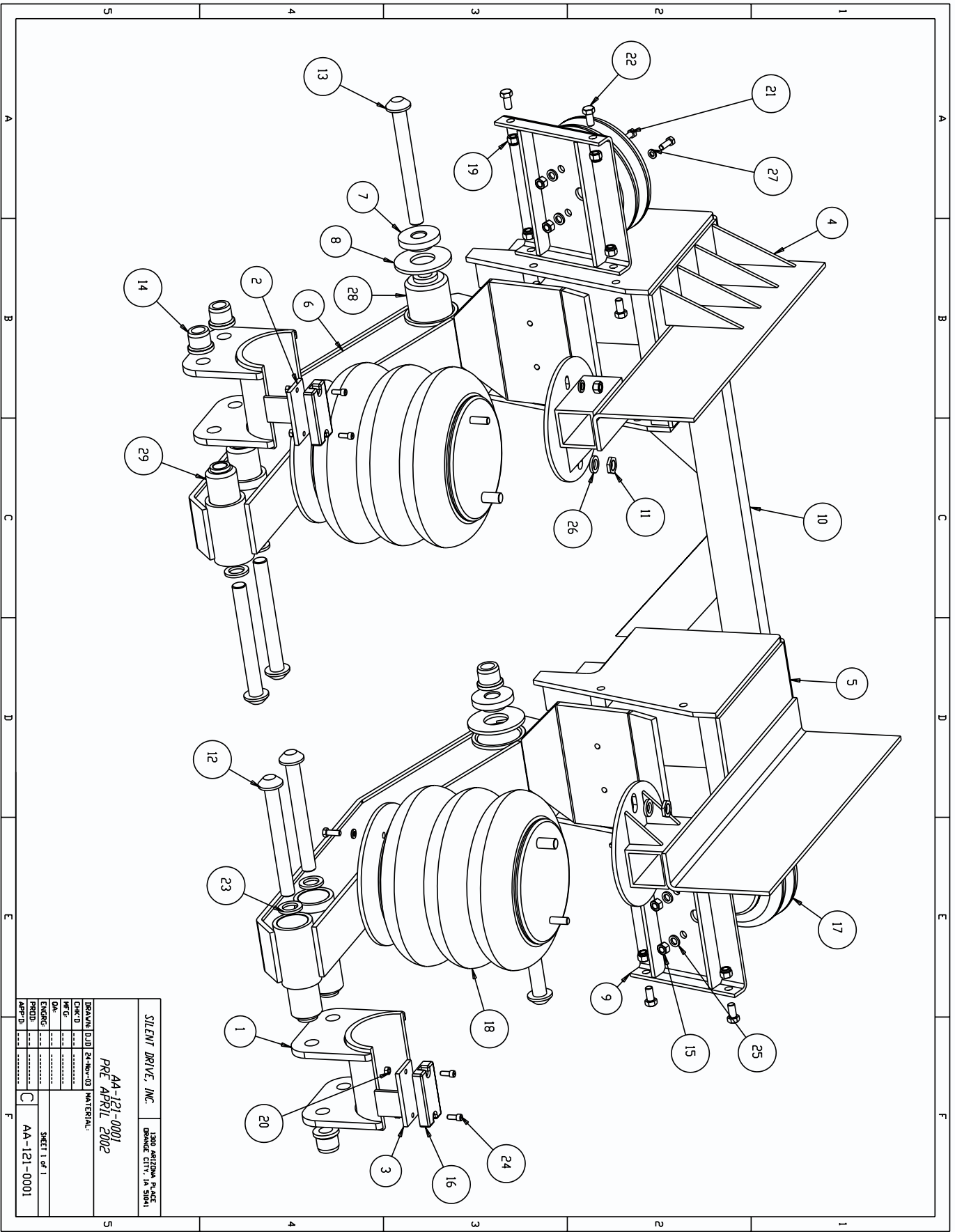


SILENT DRIVE, INC.		1380 ARIZONA PLACE
		BRIDGE CITY, LA 70814
AA-121-0001		
APRIL 2002 - PRESENT		
DRAWN DJD 24-Nov-03 MATERIAL		
CHK'D		
WF G		
QA		
ENGR'G		
PR'D		
APP'D		
C		AA-121-0001
		SHEET 1 OF 1

AA-121 Suspension

Models Up to April 2002

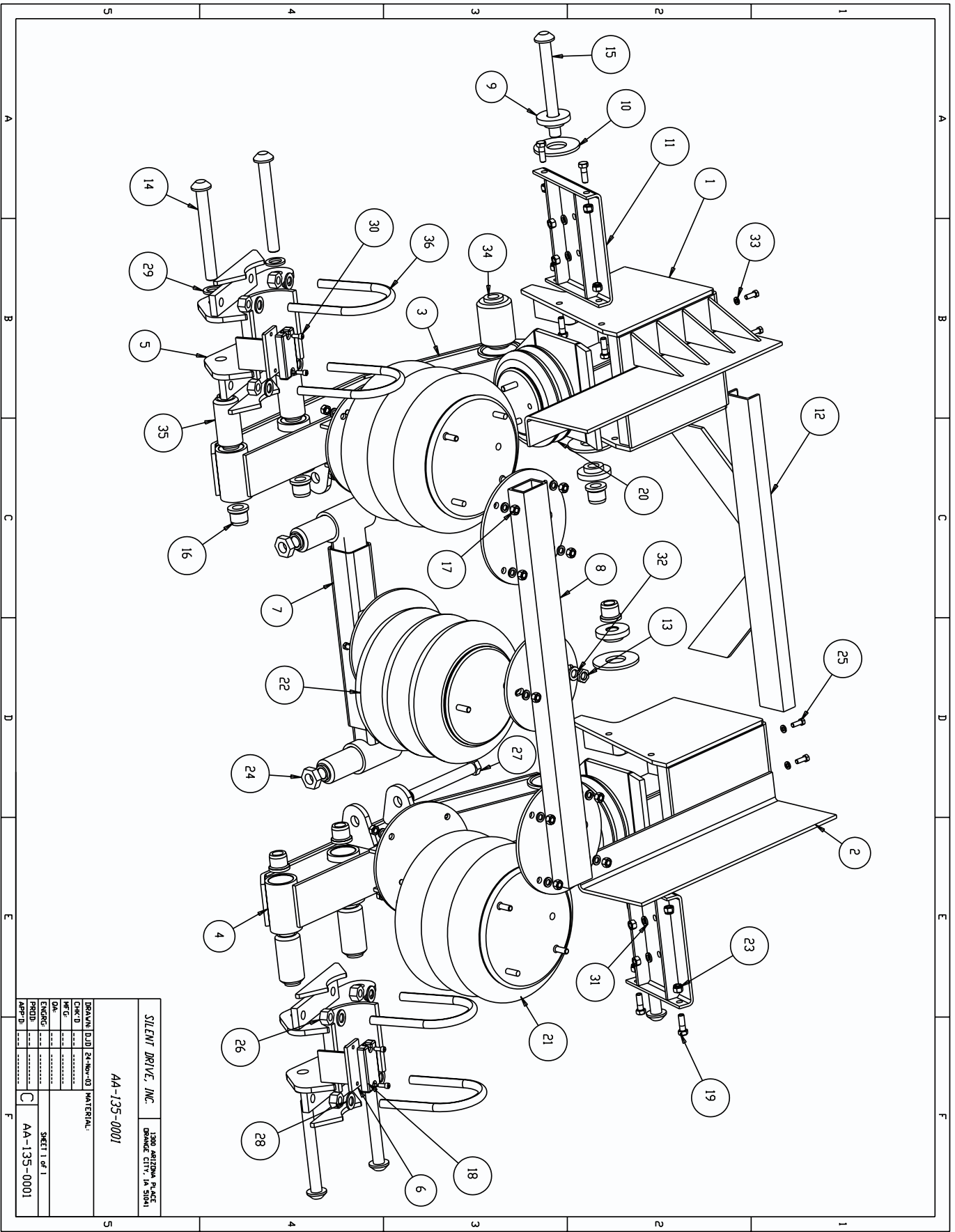
	PART NO:	QUANTITY	DESCRIPTION
29	PB-5000	4	Axle Seat Bushings
	PB-5000K	1	4 Axle Seat Bushings, Bolts, & Lock Nut
28	PB-3000	2	Pull Arm Bushing
	PB-3000K	1	2 Pull Arm Bushings, Bolts,
			Lock Nuts & 4 Wear Washers
27	LW 38ZV	8	3/8" Lock Washer
26	LW 34ZV	2	3/4" Lock Washer
25	LW 12ZV	6	1/2" Lock Washer
24	KSC516	6	4 Socket Head Cap Screw, 5/16"-18 x 3/4"
23	HWX18	4	1 1/8" Washer
22	HCC8 16Z	8	1/2-13 x 1" HX Cap GR. 5
21	HCC6 16Z	8	Bolt, 3/8"-16 x 1" HX Cap Gr. 5 Z
20	CLN516C	4	5/16-18 UTC Lock Nut
19	CLN12CCW	8	1/2-13 Lock Nut
18	AS-8027	2	Airspring, Suspension
17	AS-6882	2	Lift Airspring
16	AB-1200	2	Axle Bumper Kit
15	8C8DZD	6	1/2-13 UNC Hex Nut Gr. 8
14	100RXSC5	6	Huck Spin Collar
13	100R662XST8	2	1"x 9 1/4" Huck Bolt
12	100R618XST8	4	1" x 8 3/4" Huck Bolt
	AC1 95K	2	1 Repl. Pull Arm Bolt, Lock Nut, Washer
	HSB1 8A490K	4	1 Repl. Axle Seat Bolt, Lock Nut, Washer
11	341248	2	Nut, Jam 3/4"-16
10	1755-6000	1	Cross Member
9	1755-2500	2	Plate, Lift Airspring Cover
8	1750-1011	4	Pull Arm Hardened Washer
7	421-01-9000	4	Collar, Sliding Alignment
6	121-3000K	2	Pull Arm Assembly
[Pull Arm Assemblies Include all Bushings, Bolts, Wear Washers and Nuts]			
5	121-2000K	1	RH Hanger Assembly
4	121-1000K	1	LH Hanger Assembly
[Hanger Assemblies Include Two Sliding Alignment Collars]			
3	115-6200	1	Bracket, Axle Stop
2	115-6100	1	Bracket, Axle Stop
1	115-5000	2	Axle Seat Assembly



SILENT DRIVE, INC.		1380 ARIZONA PLACE
AA-121-0001		BRAND CITY, LA 70041
PRE-APRIL 2002		
DRAWN/DJD	24-Nov-03	MATERIAL:
CHK'D		
WF/G		
QA		
ENGR'G		
PR'D		
APP'D		
SHEET 1 OF 1		
C		AA-121-0001

AA-1 35 Suspension

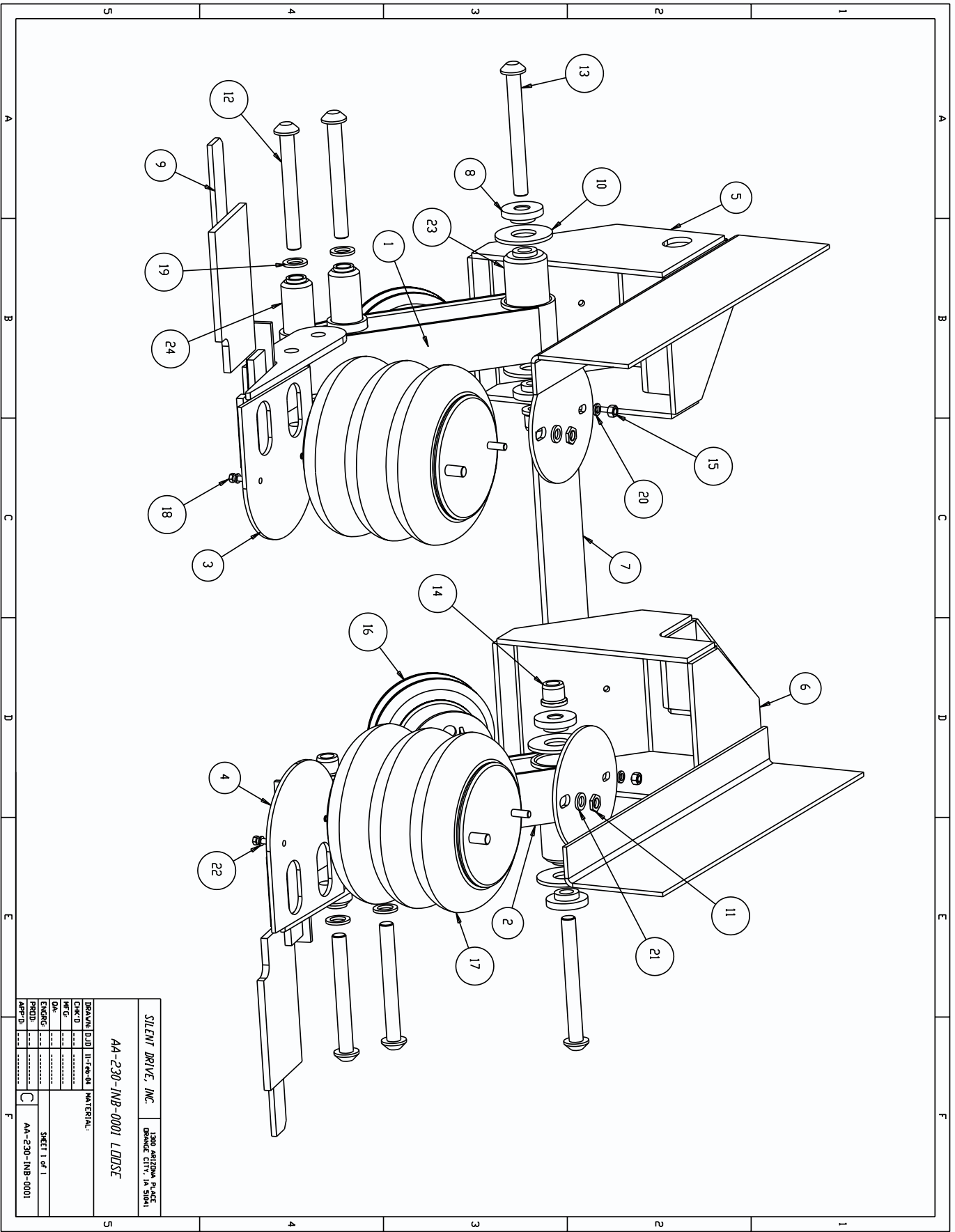
	PART NO:	QUANTITY	DESCRIPTION
36	UB-055	4	U-Bolt 3/4" Dia. X 5 1/4" X 8"
	UB-055K	1	1 U-Bolt, Washers And High Nuts
35	PB-5000	6	Axle Seat Bushings
	PB-5000K	1	4 Axle Seat Bushings, Bolts, & Lock Nut
34	PB-3000	2	Pull Arm Bushing
	PB-3000K	1	2 Pull Arm Bushings, Bolts,
			Lock Nuts & 4 Wear Washers
33	LW 38ZV	6	3/8" Lock Washer
32	LW 34ZV	1	3/4" Lock Washer
31	LW 12ZV	21	1/2" Lock Washer
30	KSC516-6	4	Socket Head cap Screw, 5/16"-18 x 3/4"
29	HWX18	4	1 1/8" Washer
28	HWX12	8	Washer, 3/4 Extra Thick Hardened
27	HSB18A490	2	1-8 x 8" A490 Struct Bolt-NT
26	HHN16	8	3/4 Hex High Nut
25	HCC6 16Z	6	Bolt, 3/8"-16 x 1 HX Cap Gr. 5 Z
24	CLNICCW	2	Lock Nut 1"
23	CLN12CCW	8	1/2-13 Lock Nut
22	AS-8027	1	Load Airspring
21	AS-7800	2	Load Airspring
20	AS-6882	2	Lift Airspring
19	ACC8 24ZD	8	1/2-13 UNC x 1 1/2" HHCS Gr. 8
18	AB-1200K	1	Axle Bumper Kit
17	8C8DZD	21	1/2-13 UNC Hex Nut Gr. 8
16	100RXSC5	6	Huck Spin Collar
15	100R662XST8	2	1"x 9 1/4" Huck Bolt
14	100R618XST8	4	1" x 8 3/4" Huck Bolt
	AC1 95K	2	1 Repl. Pull Arm Bolt, Lock Nut, Washer
	HSB1 8A490K	4	1 Repl. Axle Seat Bolt, Lock Nut, Washer
13	341248	1	Nut, Jam 3/4"-16
12	1755-6000	1	Crossmember
11	1755-2500	2	Plate, Lift Airspring Cover
10	1750-1011	4	Pull Arm Hardened Washer
9	421-01-9000	4	Collar, Sliding Alignment
8	135-8000	1	Upper Crossmember w/Airspring Mount
7	135-7000	1	Lower Crossmember w/Airspring Mount
6	135-6000	2	Axle Stop Bracket
5	135-5000-	1	2 Axle Seat Assembly
4	135-4000K	1	RH Pull Arm Assembly
3	135-3000K	1	LH Pull Arm Assembly
[Pull Arm Assemblies Include all Bushings, Bolts, Wear Washer, and Nuts]			
2	135-2000K	1	RH Hanger Assembly
1	135-1000K	1	LH Hanger Assembly
[Hanger Assemblies Include Two Sliding Alignment Collars]			



SILENT DRIVE, INC.		1380 ARIZONA PLACE BRANDS CITY, LA 71804
AA-135-0001		
DRAWN	DJD	24-Nov-03 MATERIAL
CHECKED
DATE
ENGINEER
PROJ'D
APP'D
SHEET 1 OF 1		
C		AA-135-0001

AA-230-INB-L Suspension

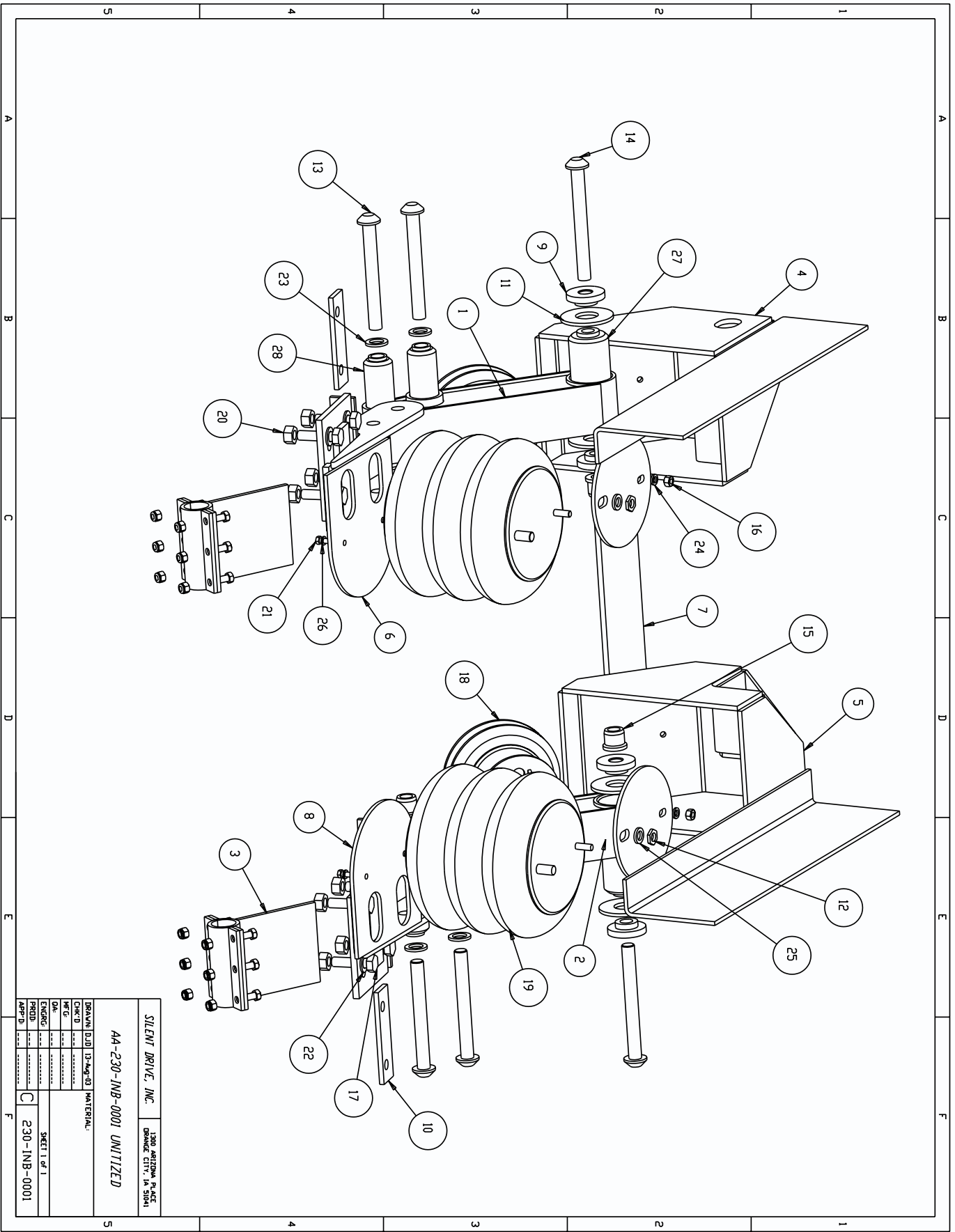
	PART NO:	QUANTITY	DESCRIPTION
24	PB-5000	4	Axle Seat Bushings
	PB-5000K	1	4 Axle Seat Bushings, Bolts & Lock Nut
23	PB-3000	2	Pull Arm Bushing
	PB-3000K	1	2 Pull Arm Bushings, Bolts,
			Lock Nuts & 4 Wear Washers
22	LW 38ZV	8	3/8" Lock Washer
21	LW 34ZV	2	3/4" Lock Washer
20	LW 12ZV	6	1/2" Lock Washer
19	HWX18	4	1 1/8" Washer
18	HCC6 16Z	8	Bolt 3/8-16 x 1" HX Cap Gr. 5 Z
17	AS-8027	2	Airspring, Suspension
16	AS-6882	2	Lift Airspring
15	8C8DZD	6	1/2-13 UNC Hex Nut Gr. 8
14	100RXSC5	6	Huck Spin Collar
13	100R662XST8	2	1"x 9 1/4" Huck Bolt
12	100R618XST8	4	1" x 8 3/4" Huck Bolt
	AC1 95K	2	1 Repl. Pull Arm Bolt, Lock Nut, Washer
	HSB1 8A490K	4	1 Repl. Axle Seat Bolt, Lock Nut, Washer
11	341248	2	Nut, Jam 3/4"-16
10	1750-1011	4	Pull Arm Hardened Washer
9	720-9500	2	Lower Axle Plate, Unitized
8	421-01-9000	4	Collar, Sliding Alignment
7	203-INB-6000	1	Crossmember
6	230-INB-2000K	1	RH Hanger Assembly
5	230-INB-1000K	1	LH Hanger Assembly
(Hanger Assemblies Include Two Sliding Alignment Collars)			
4	230-6000	1	RH Axle Seat Assembly
3	230-5000	1	LH Axle Seat Assembly
2	230-4000K	1	RH Pull Arm Assembly
1	230-3000K	1	LH Pull Arm Assembly
(Pull Arm Assemblies Include All Bushings, Bolts, Wear Washers, And Nuts)			



SILENT DRIVE, INC.		1380 ARIZONA PLACE
AA-230-1NB-0001 LEQSE		BRANDS CITY, IA 51841
DRAWN	DJD	11-FEB-94 MATERIAL
CHECK'D		
APP'D		
ENG'G		
PRO'D		
APP'D		
SHEET 1 OF 1		
C		AA-230-1NB-0001

AA-230-INB-U Suspension

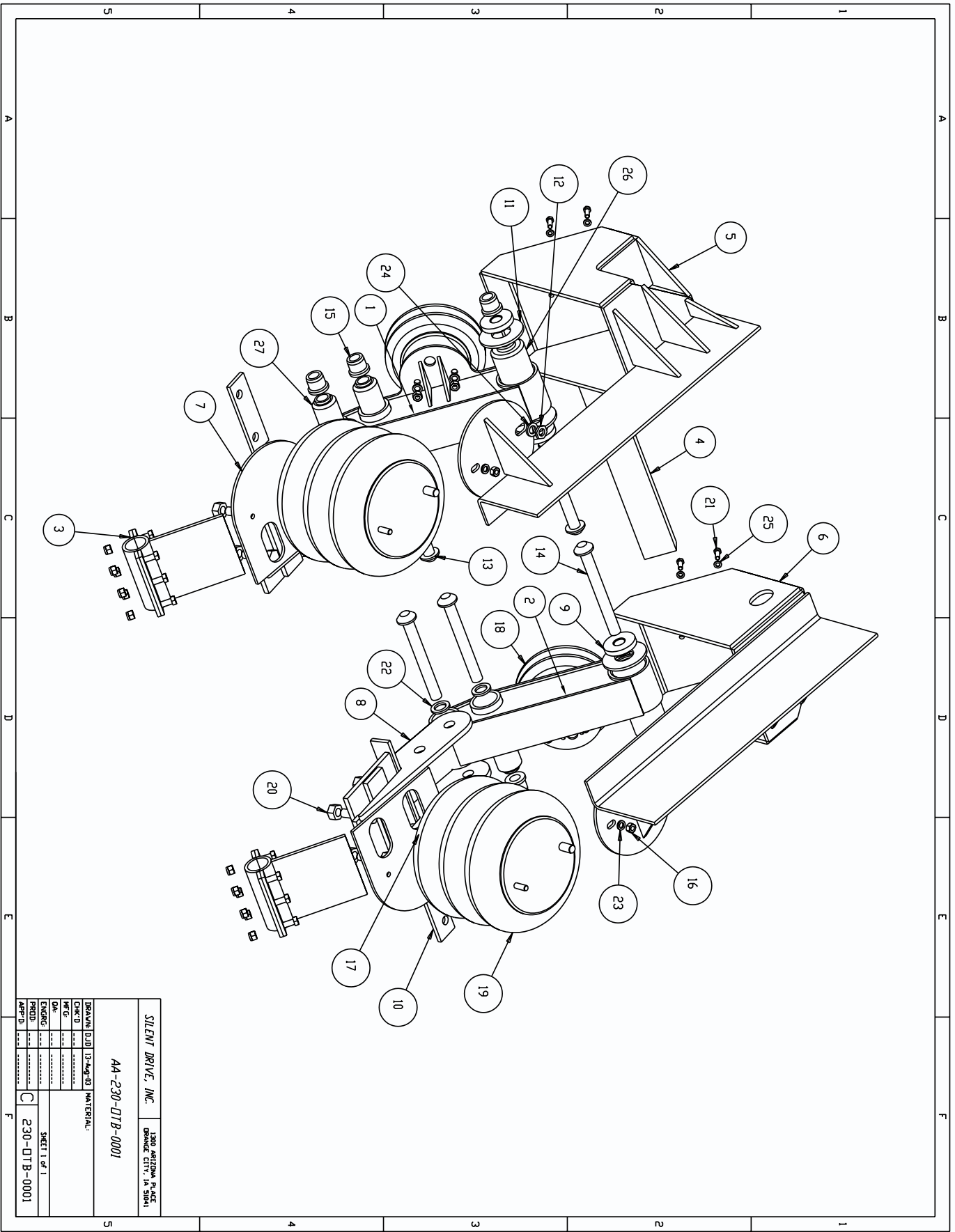
	PART NO:	QUANTITY	DESCRIPTION
28	PB-5000	4	Axle Seat Bushings
	PB-5000K	1	4 Axle Seat Bushings, Bolts & Lock Nut
27	PB-3000	2	Pull Arm Bushing
	PB-3000K	1	2 Pull Arm Bushings, Bolts,
			Lock Nuts & 4 Wear Washers
26	LW 38ZV	8	3/8" Lock Washer
25	LW 34ZV	2	3/4" Lock Washer
24	LW 12ZV	6	1/2" Lock Washer
23	HWX18	4	1 1/8" Washer
22			
21	HCC6 16Z	8	Bolt 3/8-16 x 1" HX Cap Gr. 5 Z
20	CLN34CCW	8	Lock Nut, 3/4"-10 x 3" HX Cap GR.8 ZD
19	AS-8027	2	Airspring, Suspension
18	AS-6882	2	Lift Airspring
17	AC3 3ZD	8	Bolt, 3/4"-10 x 3" HX Cap GR.8 ZD
16	8C8DZD	6	1/2-13 UNC Hex Nut Gr. 8
15	100RXSC5	6	Huck Spin Collar
14	100R662XST8	2	1"x 9 1/4" Huck Bolt
13	100R618XST8	4	1" x 8 3/4" Huck Bolt
	AC1 95K	2	1 Repl. Pull Arm Bolt, Lock Nut, Washer
	HSB1 8A490K	4	1 Repl. Axle Seat Bolt, Lock Nut, Washer
12	341248	2	Nut, Jam 3/4"-16
11	1750-1011	4	Pull Arm Hardened Washer
10	720-9000	2	Lower Axle Plate, Unitized
9	421-01-9000	4	Collar, Sliding Alignment
8	230-INB-6100	1	RH Axle Seat Assembly
7	230-INB-6000	1	Crossmember
6	230-INB-5000	1	LH Axle Seat Assembly
5	230-INB-2000-K	1	RH Hanger Assembly
4	230-INB-1000-K	1	LH Hanger Assembly
(Hanger Assemblies Include Two Sliding Alignment Collars)			
3	230-8000K	2	Axle Lock
2	230-4000K	1	RH Pull Arm Assembly
1	230-3000K	1	LH Pull Arm Assembly
(Pull Arm Assemblies Include All Bushings, Bolts, Wear Washers, And Nuts)			



SILENT DRIVE, INC.		1380 ARIZONA PLACE
AA-230-INB-0001 UNITIZED		BRIDGE CITY, LA 70804
DRAWN	DJD	13-Aug-03 MATERIAL
CHECKED
DATE
ENGINEER
PROJ. NO.	C	230-INB-0001
APP'D.

AA-230-OTB Suspension

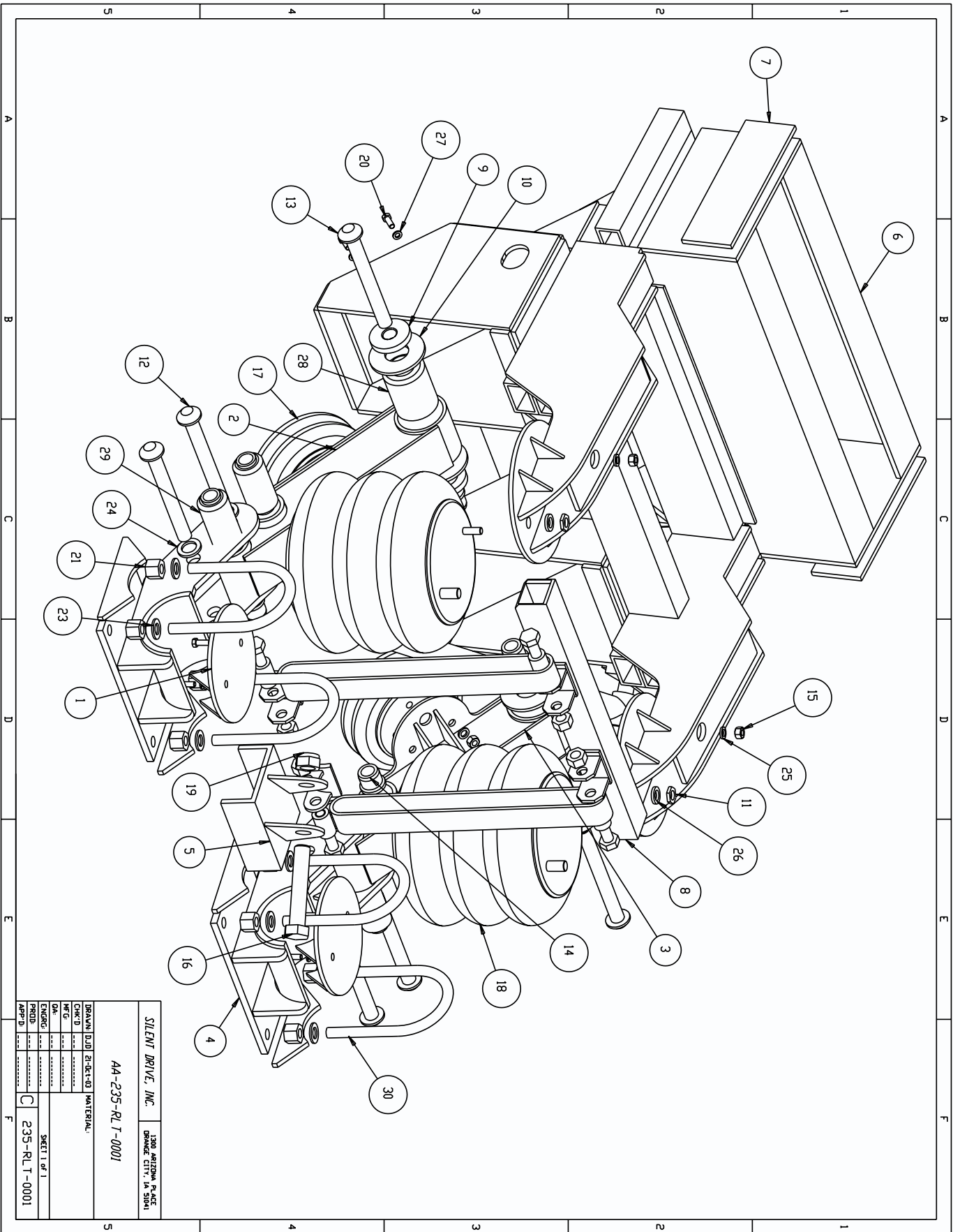
	PART NO:	QUANTITY	DESCRIPTION
27	PB-5000	4	Axle Seat Bushings
	PB-5000K	1	4 Axle Seat Bushings, Bolts & Lock Nut
26	PB-3000	2	Pull Arm Bushing
	PB-3000K	1	2 Pull Arm Bushings, Bolts,
			Lock Nuts & 4 Wear Washers
25	LW 38ZV	8	3/8" Lock Washer
24	LW 34ZV	2	3/4" Lock Washer
23	LW 12ZV	6	1/2" Lock Washer
22	HWX18	4	1 1/8" Washer
21	HCC6 16Z	8	Bolt 3/8-16 x 1" HX Cap Gr. 5 Z
20	CLN34CCW	8	Lock Nut, 3/4"-10 x 3" HX Cap GR.8 ZD
19	AS-8027	2	Airspring, Suspension
18	AS-6882	2	Lift Airspring
17	AC3-3ZD	8	Bolt, 3/4"-10 x 3" HX Cap GR.8 ZD
16	8C8DZD	6	1/2-13 UNC Hex Nut Gr. 8
15	100RXSC5	6	Huck Spin Collar
14	100R662XST8	2	1"x 9 1/4" Huck Bolt
13	100R618XST8	4	1" x 8 3/4" Huck Bolt
	AC1 95K	2	1 Repl. Pull Arm Bolt, Lock Nut, Washer
	HSB1 8A490K	4	1 Repl. Axle Seat Bolt, Lock Nut, Washer
12	341248	2	Nut, Jam 3/4"-16
11	1750-1011	4	Pull Arm Hardened Washer
10	720-9000	2	Lower Axle Plate, Unitized
9	421-01-9000	4	Collar, Sliding Alignment
8	230-OTB-6000-K	1	RH Axle Seat Assembly
7	230-OTB-5000-K	1	LH Axle Seat Assembly
6	230-OTB-2000-K	1	RH Hanger Assembly
5	230-OTB-1000-K	1	LH Hanger Assembly
(Hanger Assemblies Include Two Sliding Alignment Collars)			
4	230-INB-6000	1	Crossmember
3	230-8000K	2	Axle Lock
2	230-4000K	1	RH Pull Arm Assembly
1	230-3000K	1	LH Pull Arm Assembly
(Pull Arm Assemblies Include All Bushings, Bolts, Wear Washers, And Nuts)			



SILENT DRIVE, INC.		1380 ARIZONA PLACE
AA-230-DTB-0001		BRANDS CITY, LA 71064
DRAWN	DJD	13-Aug-03
CHECKED	...	MATERIAL
DATE	...	
ENGINEER	...	
PROB'D	...	
APP'D	...	
SHEET 1 OF 1		
C		230-DTB-0001

AA-235-RLT Suspension

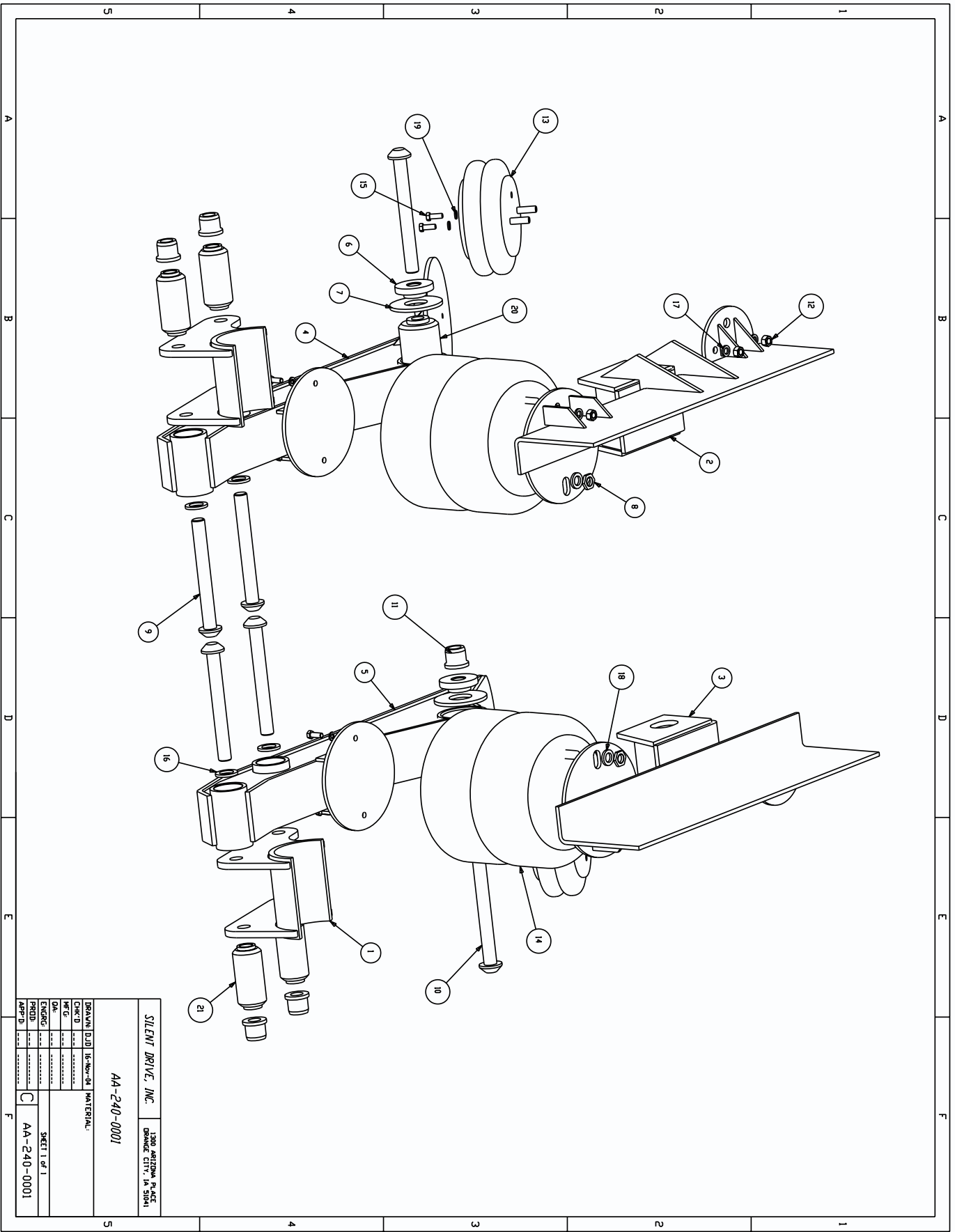
	PART NO:	QUANTITY	DESCRIPTION
30	UB-055	4	U-Bolt 3/4" Dia. X 5 1/4" x 8"
	UB-055K	1	1 U-Bolt, Washers And High Nuts
29	PB-5000	4	Axle Seat Bushings
	PB-5000K	1	4 Axle Seat Bushings, Bolts, & Lock Nut
28	PB-3000	2	Pull Arm Bushing
	PB-3000K	1	2 Pull Arm Bushings, Bolts,
			Lock Nuts & 4 Wear Washers
27	LW 38ZV	8	3/8" Lock Washer
26	LW 34ZV	2	3/4" Lock Washer
25	LW 12ZV	6	1/2" Lock Washer
24	HWX18	4	1 1/8" Washer
23	HWX12	8	Washer, 3/4 Extra Thick Hardened F/W
22	HU-3844	1	Track Rod 26.5"
21	HHN12	8	3/4 Hex High Nut
20	HCC6 16Z	6	Bolt, 3/8"-16 x 1" HX Cap Gr. 5 Z
19	CLN118F	2	1 1/8 - 7UNC Lock Nut Gr. 8
18	AS-8027	2	Airspring
17	AS-6882	2	Lift Air Spring
16	AC118-6	1	1 1/8 - 7UNC x 5" Bolt GR. 8
15	8C8DZD	6	1/2-13 UNC Hex Nut Gr. 8
14	100RXSC5	4	Huck Spin Collar
13	100R662XST8	2	1"x 9 1/4" Huck Bolt
12	100R618XST8	2	1" x 8 3/4" Huck Bolt
	AC1 95K	2	1 Repl. Pull Arm Bolt, Lock Nut, Washer
	HSB1 8A490K	2	1 Repl. Axle Seat Bolt, Lock Nut, Washer
11	341248	2	Nut, Jam 3/4"-16
10	1750-1011	4	Pull Arm Hardened Washer
9	421-01-9000	4	Collar, Sliding Alignment
8	235-RLT-OESTRAP	1	Overextension Strap Kit
7	235-RLT-9100	2	Mounting Plate
6	235-RLT-1000	1	Hanger Assembly
5	230-RLT-8000	1	Track Rod Axle Bracket
4	230-RLT-5000-HD	2	Axle Seat Assembly
3	230-4000K	1	RH Pull Arm Assembly
2	230-3000K	1	LH Pull Arm Assembly
(Pull Arm Assemblies Include All Bushings, Bolts, Wear Washers, And Bolts)			
1	110-6000	2	Lower Airspring Plate Assembly



SILENT DRIVE, INC.		1380 ARIZONA PLACE
AA-235-RLT-0001		BRANDS CITY, LA 71804
DRAWN	DJD	21-DEC-03 MATERIAL
CHK'D
WF G
QA
ENGR'G
PRO'D
APP'D
SHEET 1 OF 1		
C 235-RLT-0001		

AA-240 Suspension

	PART NO:	QUANTITY	DESCRIPTION
21	PB-5000	4	Axle Seat Bushings
	PB-5000K	1	4 Axle Seat Bushings, Bolts & Lock Nut
20	PB-3000	2	Pull Arm Bushing
	PB-3000K	1	2 Pull Arm Bushings, Bolts,
			Lock Nuts & 4 Wear Washers
19	LW 38ZV	8	3/8" Lock Washer
18	LW 34ZV	2	3/4" Lock Washer
17	LW 12ZV	6	1/2" Lock Washer
16	HWX18	4	1 1/8" Washer
15	HCC6 16Z	8	Bolt 3/8-16 x 1" HX Cap Gr. 5 Z
14	AS-7446	2	Suspension Airspring
13	AS-6882	2	Lift Airspring
12	8C8DZD	6	1/2-13 UNC Hex Nut Gr. 8
11	100RXSC5	6	Huck Spin Collar
10	100R662XST8	2	1"x 9 1/4" Huck Bolt
9	100R618XST8	4	1" x 8 3/4" Huck Bolt
	AC1 95K	2	1 Repl. Pull Arm Bolt, Lock Nut, Washer
	HSB1 8A490K	4	1 Repl. Axle Seat Bolt, Lock Nut, Washer
8	341248	2	Nut, Jam 3/4"-16
7	1750-1011	4	Pull Arm Hardened Washer
6	421-01-9000	4	Collar, Sliding Alignment
5	240-4010K	1	RH Pull Arm Assembly
4	240-3010K	1	LH Pull Arm Assembly
(Pull Arm Assemblies Include all Bushings, Bolts, and Nuts)			
3	240-2000K	1	RH Hanger Assembly
2	240-1000K	1	LH Hanger Assembly
(Hanger Assemblies Include Two Sliding Alignment Collars)			
1	115-5010	2	Axle Seat Assembly

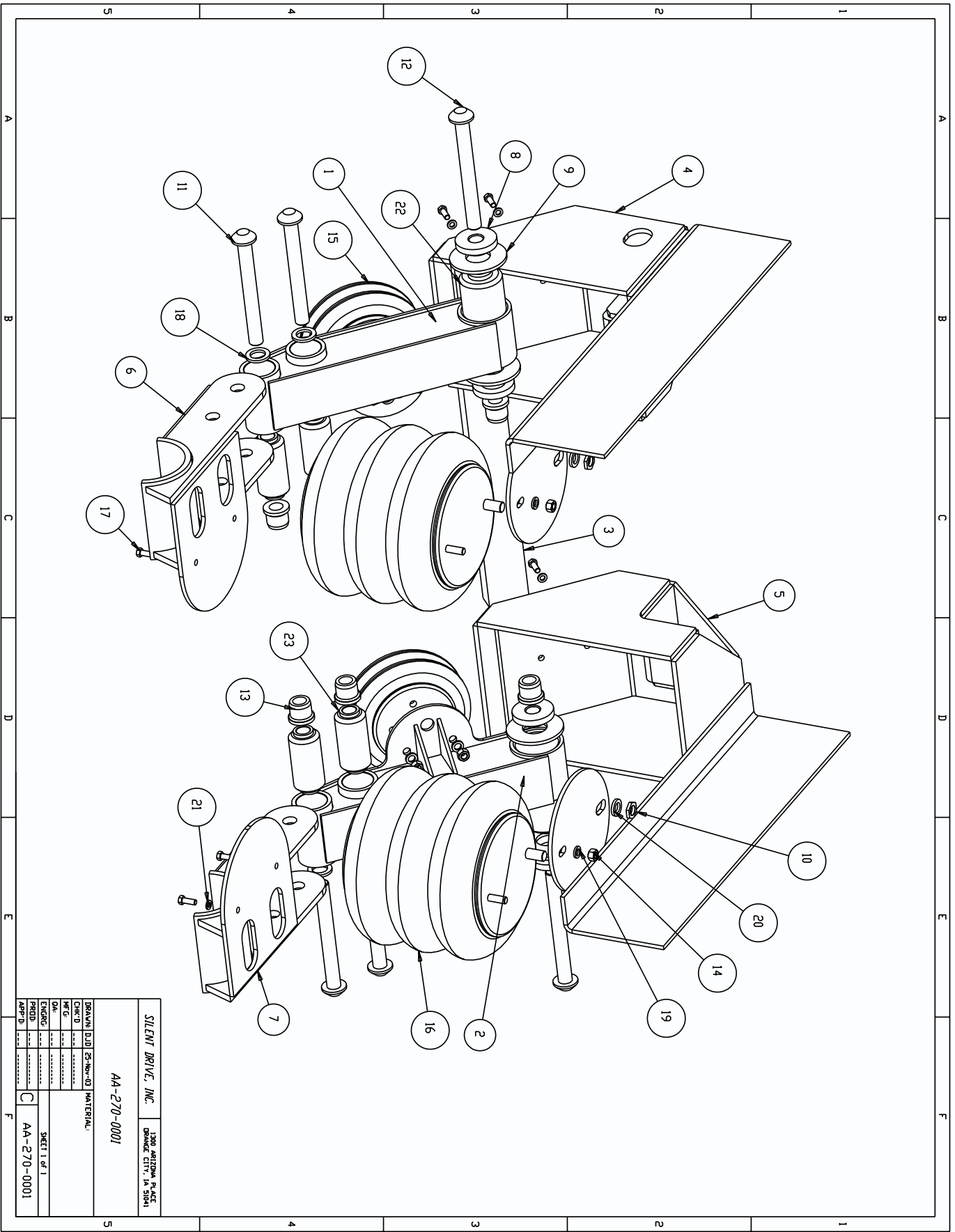


SILENT DRIVE, INC.		1380 ARIZONA PLACE
AA-240-0001		BRANDS CITY, LA 70804
DRAWN	DJD	16-Nov-04 MATERIAL
CHECK'D
APP'D
ENG'G
PRO'D
APP'D

SHEET 1 OF 1
AA-240-0001

AA-270 Suspension

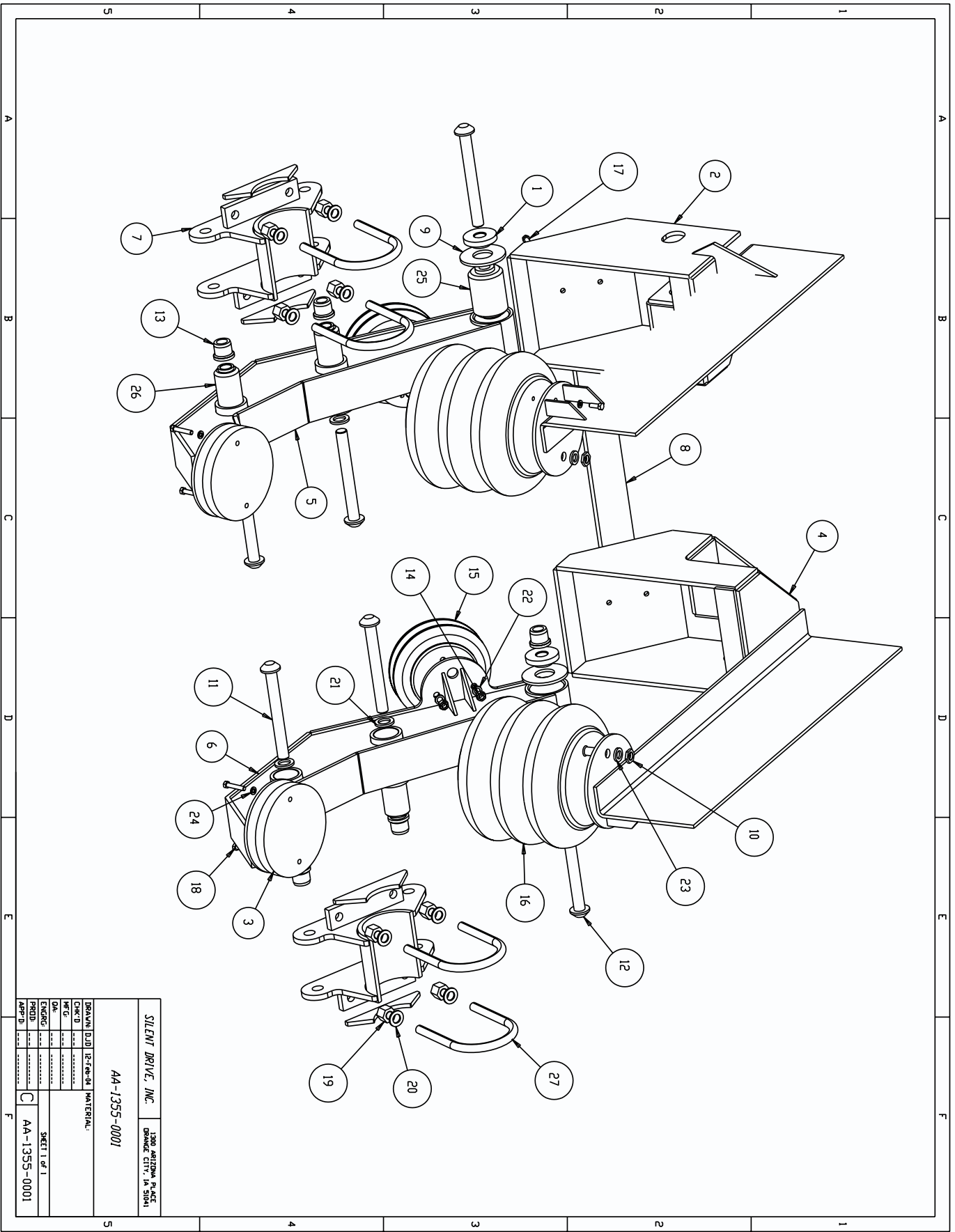
	PART NO:	QUANTITY	DESCRIPTION
23	PB-5000	4	Axle Seat Bushings
	PB-5000K	1	4 Axle Seat Bushings, Bolts & Lock Nut
22	PB-3000	2	Pull Arm Bushing
	PB-3000K	1	2 Pull Arm Bushings, Bolts,
			Lock Nuts & 4 Wear Washers
21	LW 38ZV	8	3/8" Lock Washer
20	LW 34ZV	2	3/4" Lock Washer
19	LW 12ZV	6	1/2" Lock Washer
18	HWX18	4	1 1/8" Washer
17	HCC6 16Z	8	Bolt 3/8-16 x 1" HX Cap Gr. 5 Z
16	AS-8027	2	Suspension Airspring
15	AS-6882	2	Lift Airspring
14	8C8DZD	6	1/2-13 UNC Hex Nut Gr. 8
13	100RXSC5	6	Huck Spin Collar
12	100R662XST8	2	1"x 9 1/4" Huck Bolt
11	100R618XST8	4	1" x 8 3/4" Huck Bolt
	AC1 95K	2	1 Repl. Pull Arm Bolt, Lock Nut, Washer
	HSB1 8A490K	4	1 Repl. Axle Seat Bolt, Lock Nut,Washer
10	341248	2	Nut, Jam 3/4"-16
9	1750-1011	4	Pull Arm Hardened Washer
8	421-01-9000	4	Collar, Sliding Alignment
7	270-6000	1	RH Axle Seat Assembly
6	270-5000	1	LH Axle Seat Assembly
5	270-2000K	1	RH Hanger Assembly
4	270-1000K	1	LH Hanger Assembly
(Hanger Assemblies Include Two Sliding Alignment Collars)			
3	230-INB-6000	1	Crossmember
2	230-4000K	1	RH Pull Arm Assembly
1	230-3000K	1	LH Pull Arm Assembly
(Pull Arm Assemblies Include all Bushings, Bolts, Wear Washer, and Nuts)			



SILENT DRIVE, INC.		1380 MARION PLACE
AA-270-0001		BRANDS CITY, LA 70804
DRAWN D.J.D.	25-Nov-03	MATERIAL
CHK'D		
WF G		
QA		
ENGR'G		
PR'D		
APP'D		
SHEET 1 OF 1		
C	AA-270-0001	

AA-1 355 Suspension

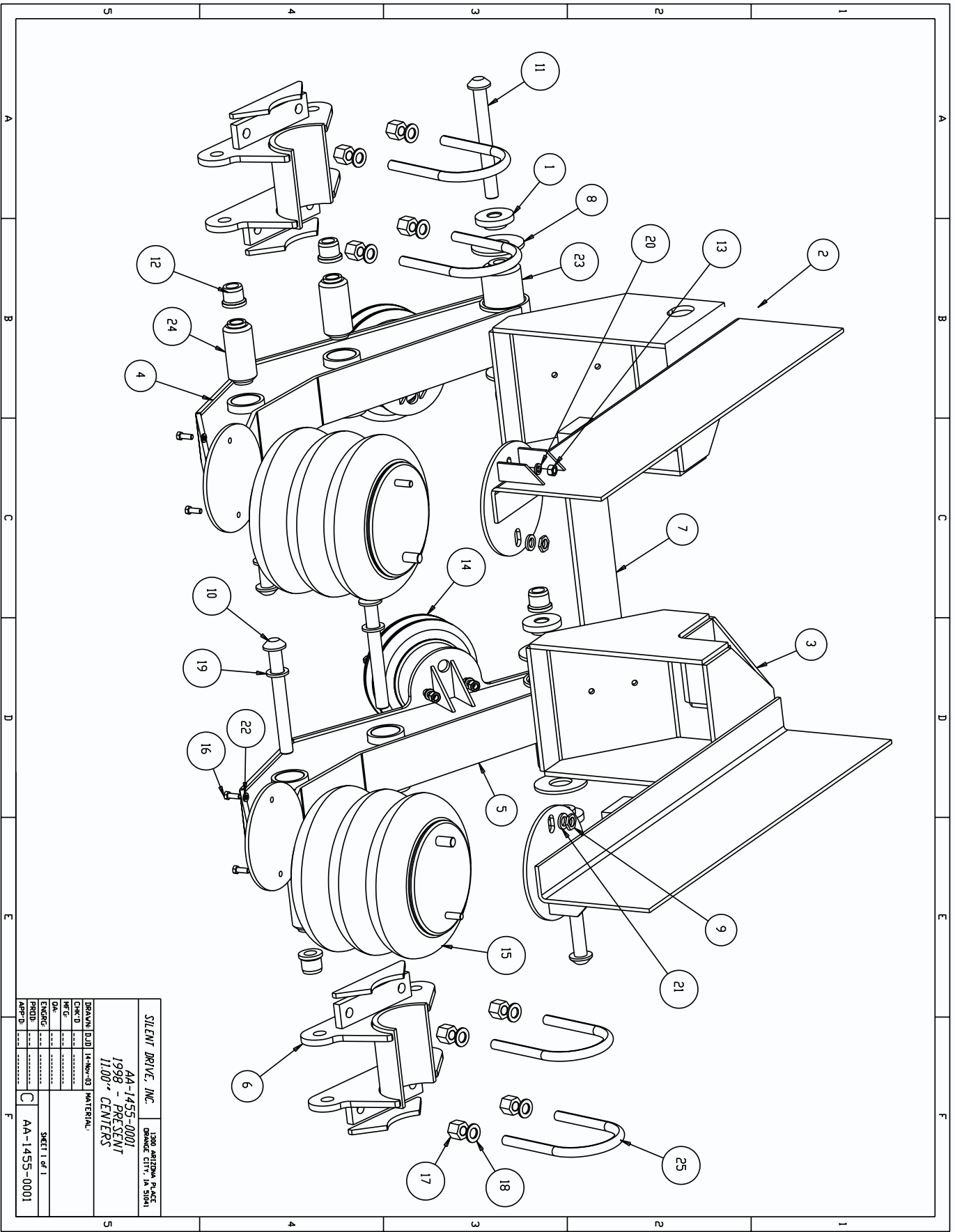
	PART NO:	QUANTITY	DESCRIPTION
27	UB-055	4	U-Bolt 3/4" Dia. X 5 1/4" X 8"
	UB-055K	1	1 U-Bolt, Washers And High Nuts
26	PB-5000	4	Axle Seat Bushings
	PB-5000K	1	4 Axle Seat Bushings, Bolts & Lock Nut
25	PB-3000	2	Pull Arm Bushing
	PB-3000K	1	2 Pull Arm Bushings, Bolts,
			Lock Nuts & 4 Wear Washers
24	LW 38ZV	10	3/8" Lock Washer
23	LW 34ZV	2	3/4" Lock Washer
22	LW 12ZV	4	1/2" Lock Washer
21	HWX18	4	1 1/8" Washer
20	HWX12	8	Washer, 3/4 Extra Thick Hardened
19	HHN12	8	3/4 Hex High Nut
18	HCC6 32Z	4	3/8-16 UNC x 1 1/4" HHCS Gr. 5
17	HCC6 16Z	6	3/8-16 UNC x 1" HHCS Gr. 5
16	AS-8038	2	Load Airspring
15	AS-6882	2	Lift Airspring
14	8C8DZD	4	1/2-13 UNC Hex Nut Gr. 8
13	100RXSC5	6	Huck Spin Collar
12	100R662XST8	2	1"x 9 1/4" Huck Bolt
11	100R618XST8	4	1" x 8 3/4" Huck Bolt
	AC1 95K	2	1 Repl. Pull Arm Bolt, Lock Nut, Washer
	HSB1 8A490K	4	1 Repl. Axle Seat Bolt, Lock Nut, Washer
10	341248	2	Nut, Jam 3/4"-16
9	1750-1011	4	Pull Arm Hardened Washer
8	1455-6000	1	Cross Member
7	1355-5000-1	2	Axle Seat Assembly
6	1355-4000-1K	1	RH Pull Arm Assembly
5	1355-3000-1K	1	LH Pull Arm Assembly
[Pull Arm Assemblies Include all Bushings, Bolts, Wear Washer, and Nuts]			
4	1355-2000K	1	RH Hanger Assembly
3	1355-1400	2	Spacer, Lower Bag Plate
2	1355-1000K	1	LH Hanger Assembly
[Hanger Assemblies Include Two Sliding Alignment Collars]			
1	421-01-9000	4	Sliding Alignment Collar



SILENT DRIVE, INC.		1380 ARIZONA PLACE
AA-1355-0001		BRANDS CITY, LA 51841
DRAWN/DJD	12-7-88-04	MATERIAL:
CHK'D		
APP'D		
ENG'G		
PRO'D		
APP'D		
SHEET 1 OF 1		
C		AA-1355-0001

AA-1 455 Suspension

	PART NO:	QUANTITY	DESCRIPTION
25	UB-055	4	U-Bolt 3/4" Dia. X 5 1/4" X 8"
	UB-055K	1	1 U-Bolt, Washers And High Nuts
24	PB-5000	4	Axle Seat Bushings
	PB-5000K	1	4 Axle Seat Bushings, Bolts, & Lock Nut
23	PB-3000	2	Pull Arm Bushing
	PB-3000K	1	2 Pull Arm Bushings, Bolts,
			Lock Nuts & 4 Wear Washers
22	LW 38ZV	8	3/8" Lock Washer
21	LW 34ZV	2	3/4" Lock Washer
20	LW 12ZV	6	1/2" Lock Washer
19	HWX18	4	1 1/8" Washer
18	HWX12	8	Washer, 3/4 Extra Thick Hardened
17	HHN12	8	3/4 Hex High Nut
16	HCC6 16Z	8	Bolt, 3/8"-16 x 1 HX Cap Gr. 5Z
15	AS-8027	2	Load Airspring
14	AS-6882	2	Lift Airspring
13	8C8DZD	6	1/2-13 UNC Hex Nut Gr. 8
12	100RXSC5	6	Huck Spin Collar
11	100R662XST8	2	1"x 9 1/4" Huck Bolt
10	100R618XST8	4	1" x 8 3/4" Huck Bolt
	AC1 95K	2	1 Repl. Pull Arm Bolt, Lock Nut, Washer
	HSB1 8A490K	4	1 Repl. Axle Seat Bolt, Lock Nut, Washer
9	341248	2	Nut, Jam 3/4"-16
8	1750-1011	4	Pull Arm Hardened Washer
7	1455-6000	1	Crossmember
6	1455-5000-1	2	Axle Seat Assembly
5	1455-4000-1K	1	RH Pull Arm Assembly
4	1455-3000-1K	1	LH Pull Arm Assembly
[Pull Arm Assemblies Include all Bushings, Bolts, Wear Washer, and Nuts]			
3	1455-2000K	1	RH Hanger Assembly
2	1455-1000K	1	LH Hanger Assembly
[Hanger Assemblies Include Two Sliding Alignment Collars]			
1	421-01-9000	4	Sliding Alignment Collar

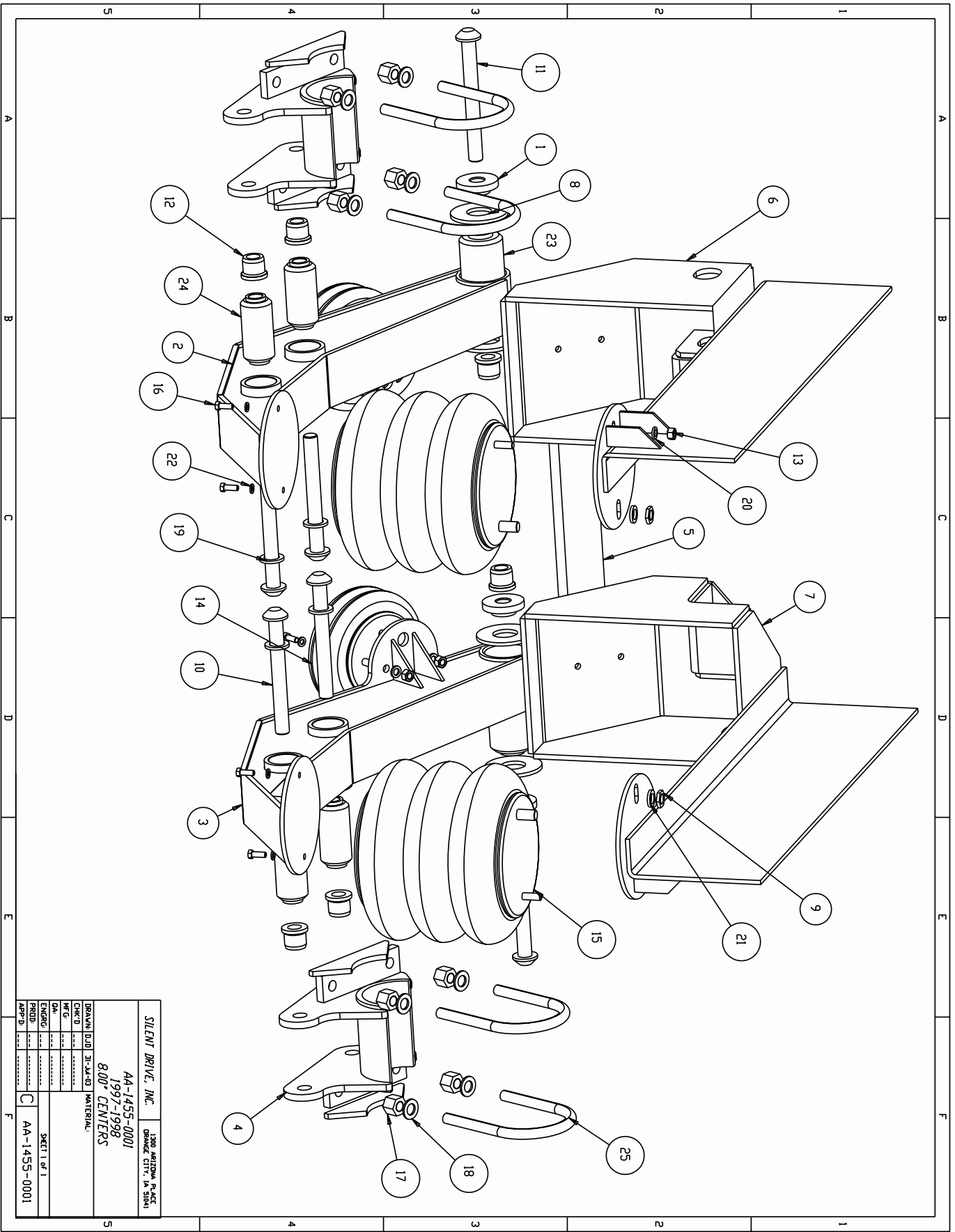


SILENT DRIVE, INC.		1380 ARIZONA PLACE
AA-1455-0001		BRAND CITY, IA 51804
1998 - PRESENT		
11.00" CENTERS		
DRAWN DJD 14-Nov-03 MATERIAL		
CHK'D		
HF'G		
QA		
ENGR'G		
PR'D		
APP'D		
C AA-1455-0001		SHEET 1 OF 1

AA-1 455 Suspension

Model Year 1997-1998

	PART NO:	QUANTITY	DESCRIPTION
25	UB-055	4	U-Bolt 3/4" Dia. X 5 1/4" X 8"
	UB-055K	1	1 U-Bolt, Washers And High Nuts
24	PB-5000	4	Axle Seat Bushings
	PB-5000K	1	4 Axle Seat Bushings, Bolts, & Lock Nut
23	PB-3000	2	Pull Arm Bushing
	PB-3000K	1	2 Pull Arm Bushings, Bolts,
			Lock Nuts & 4 Wear Washers
22	LW 38ZV	8	3/8" Lock Washer
21	LW 34ZV	2	3/4" Lock Washer
20	LW 12ZV	6	1/2" Lock Washer
19	HWX18	4	1 1/8" Washer
18	HWX12	8	Washer, 3/4 Extra Thick Hardened
17	HHN12	8	3/4 Hex High Nut
16	HCC6 16Z	8	Bolt, 3/8"-16 x 1" HX Cap Gr. 5 Z
15	AS-8027	2	Load Airspring
14	AS-6882	2	Lift Airspring
13	8C8DZD	6	1/2-13 UNC Hex Nut Gr. 8
12	100RXSC5	6	Huck Spin Collar
11	100R662XST8	2	1"x 9 1/4" Huck Bolt
10	100R618XST8	4	1" x 8 3/4" Huck Bolt
	AC1 95K	2	1 Repl. Pull Arm Bolt, Lock Nut, Washer
	HSB1 8A490K	4	1 Repl. Axle Seat Bolt, Lock Nut, Washer
9	341248	2	Nut, Jam 3/4"-16
8	1750-1011	4	Pull Arm Hardened Washer
7	1455-2000K	1	RH Hanger Assembly
6	1455-1000K	1	LH Hanger Assembly
[Hanger Assemblies Include Two Sliding Alignment Collars]			
5	1455-6000	1	Crossmember
4	1455-5000	2	Axle Seat Assembly
3	1455-4000K	1	RH Pull Arm Assembly
2	1455-3000K	1	LH Pull Arm Assembly
[Pull Arm Assemblies Include all Bushings, Bolts, Wear Washer, and Nuts]			
1	421-01-9000	4	Sliding Alignment Collar

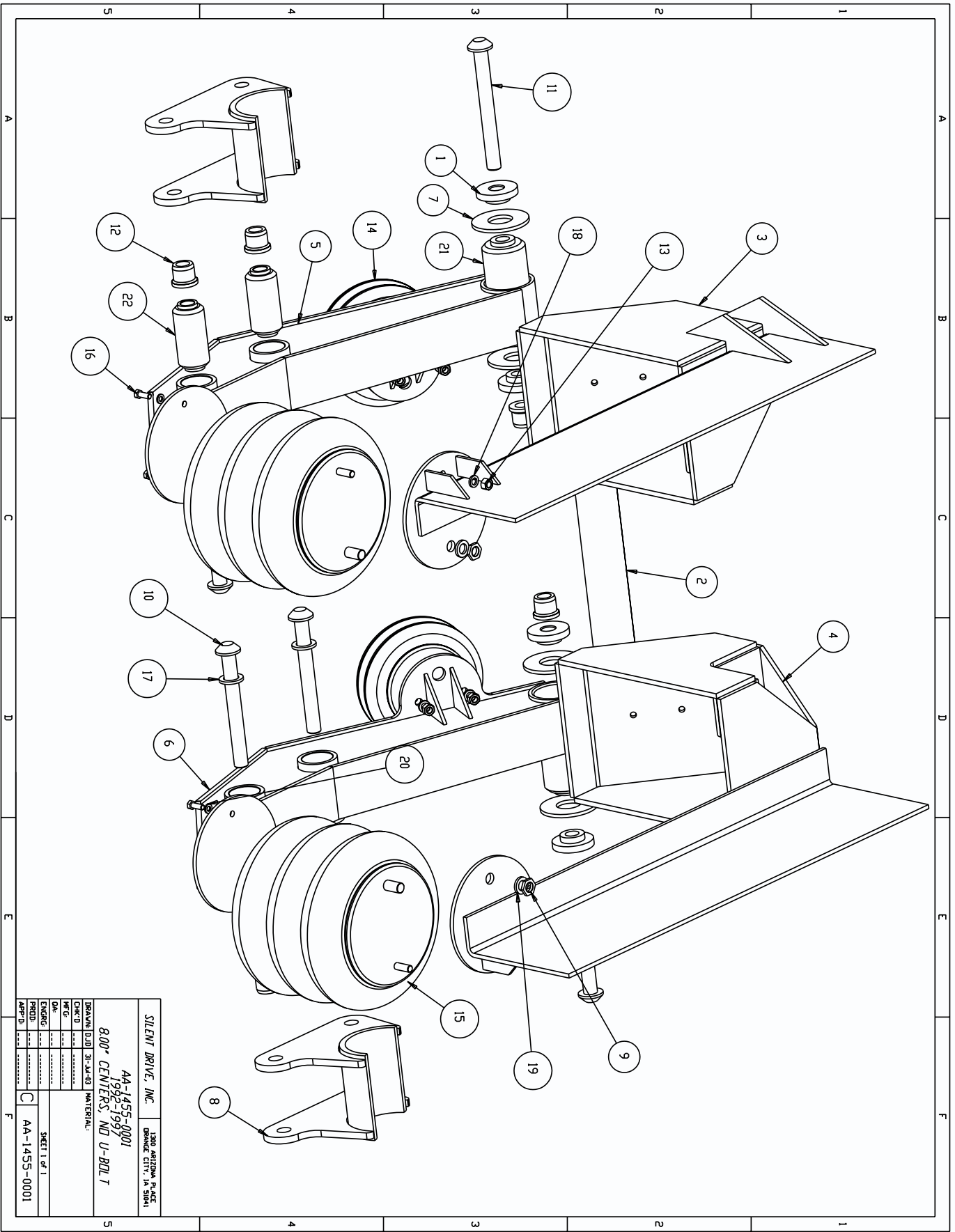


SILENT DRIVE, INC.		1300 ARIZONA BLVD. BRIDGE CITY, TX 75844
AA-1455-0001		
1997-1998		
800° CENTERS		
DRAWN DJD	31-JA-03	MATERIAL
CHK'D		
WF G		
QA		
ENGRG		
PRD'D		
APP'D		
SHEET 1 of 1		
C		AA-1455-0001

AA-1 455 Suspension

Model Year 1992-1997

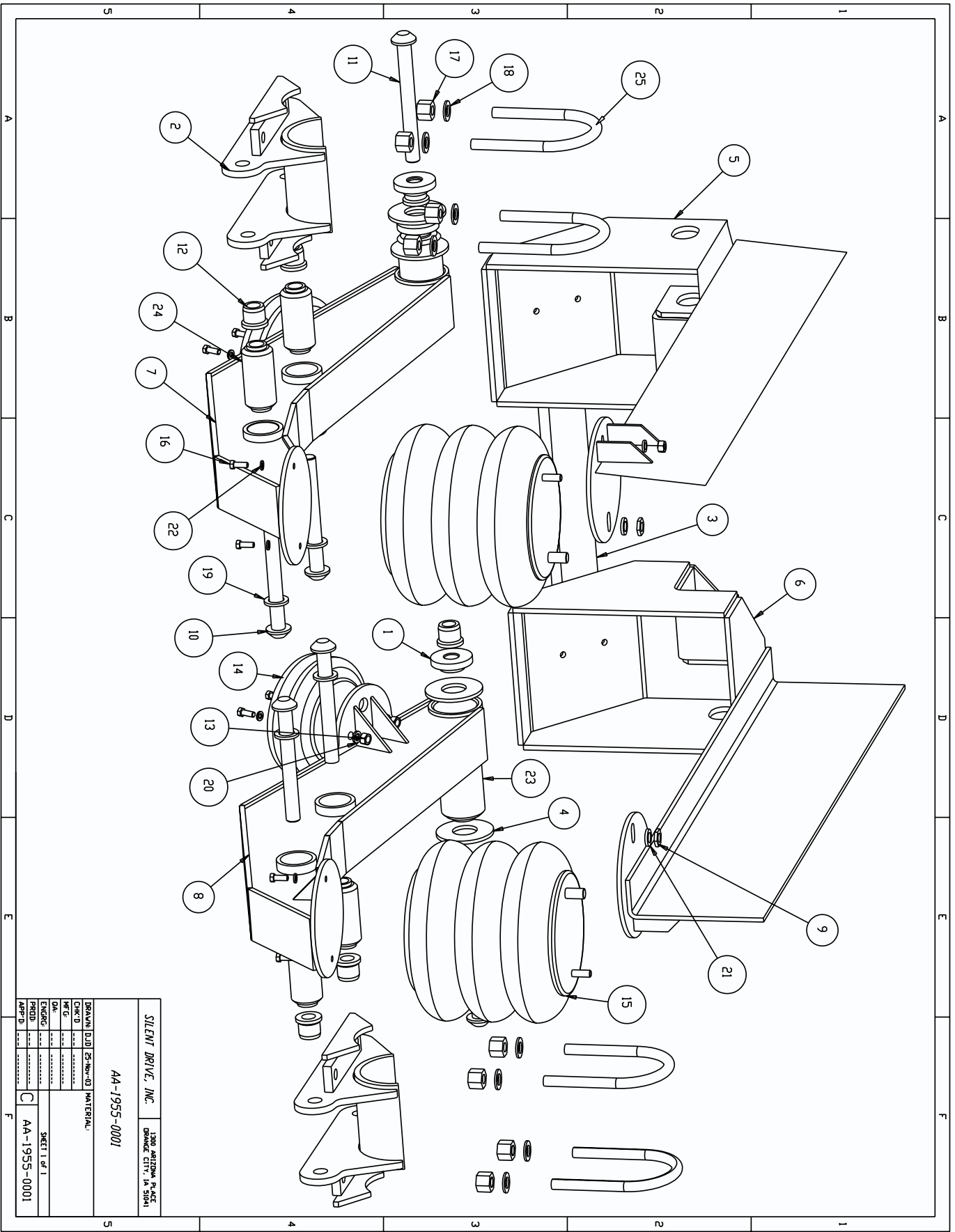
	PART NO:	QUANTITY	DESCRIPTION
22	PB-5000	4	Axle Seat Bushings
	PB-5000K	1	4 Axle Seat Bushings, Bolts, & Lock Nut
21	PB-3000	2	Pull Arm Bushing
	PB-3000K	1	2 Pull Arm Bushings, Bolts,
			Lock Nuts & 4 Wear Washers
20	LW 38ZV	8	3/8" Lock Washer
19	LW 34ZV	2	3/4" Lock Washer
18	LW 12ZV	6	1/2" Lock Washer
17	HWX18	4	1 1/8" Washer
16	HCC6 16Z	8	Bolt, 3/8"- 16 x 1" HX Cap Gr. 5 Z
15	AS-8025	2	Load Airspring
14	AS-6882	2	Lift Airspring
13	8C8DZD	6	1/2-13 UNC Hex Nut Gr. 8
12	100RXSC5	6	Huck Spin Collar
11	100R662XST8	2	1"x 9 1/4" Huck Bolt
10	100R618XST8	4	1" x 8 3/4" Huck Bolt
	AC1 95K	2	1 Repl. Pull Arm Bolt, Lock Nut, Washer
	HSB1 8A490K	4	1 Repl. Axle Seat Bolt, Lock Nut, Washer
9	341248	2	Nut, Jam 3/4"-16
8	1755-5000	2	Axle Seat Assembly
7	1750-1011	4	Pull Arm Hardened Washer
6	1455-4000K	1	RH Pull Arm Assembly
5	1455-3000K	1	LH Pull Arm Assembly
[Pull Arm Assemblies Include all Bushings, Bolts, Wear Washer, and Nuts]			
4	1455-2000K	1	RH Hanger Assembly
3	1455-1000K	1	LH Hanger Assembly
[Hanger Assemblies Include Two Sliding Alignment Collars]			
2	1455-6000	1	Crossmember
1	421-01-9000	4	Sliding Alignment Collar



SILENT DRIVE, INC.		1380 ARIZONA PLACE
AA-1455-0001		BRIDGE CITY, LA 70814
1992-1998		
800° CENTERS, ND U-BDL T		
DRAWN DJD 31-JA-03 MATERIAL		
CHK'D		
APP'D		
ENG'G		
PRO'D		
APP'D		
SHEET 1 OF 1		
C	AA-1455-0001	

AA-1 955 Suspension

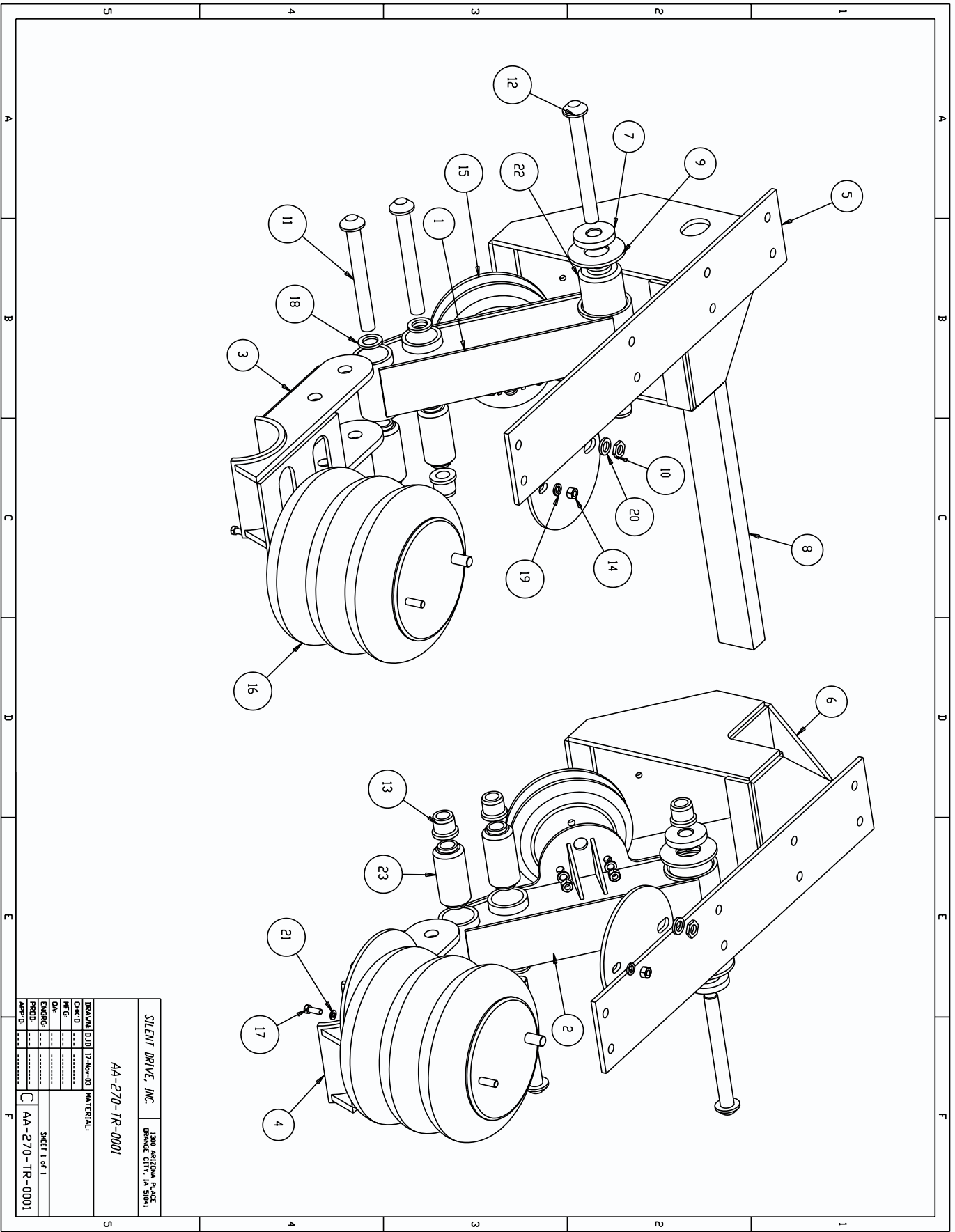
	PART NO:	QUANTITY	DESCRIPTION
25	UB-055	4	U-Bolt 3/4" Dia. X 5 1/4" X 8"
	UB-055K	1	1 U-Bolt, Washers And High Nuts
24	PB-5000	4	Axle Seat Bushings
	PB-5000K	1	4 Axle Seat Bushings, Bolts, & Lock Nut
23	PB-3000	2	Pull Arm Bushing
	PB-3000K	1	2 Pull Arm Bushings, Bolts,
			Lock Nuts & 4 Wear Washers
22	LW 38ZV	8	3/8" Lock Washer
21	LW 34ZV	2	3/4" Lock Washer
20	LW 12ZV	6	1/2" Lock Washer
19	HWX18	4	1 1/8" Washer
18	HWX12	8	Washer, 3/4 Extra Thick Hardened
17	HHN12	8	3/4 Hex High Nut
16	HCC6 16Z	8	Bolt, 3/8"-16 x 1 " HX Cap Gr. 5 Z
15	AS-8027	2	Load Airspring
14	AS-6882	2	Lift Airspring
13	8C8DZD	6	1/2-13 UNC Hex Nut Gr. 8
12	100RXSC5	6	Huck Spin Collar
11	100R662XST8	2	1"x 9 1/4" Huck Bolt
10	100R618XST8	4	1" x 8 3/4" Huck Bolt
	AC1 95K	2	1 Repl. Pull Arm Bolt, Lock Nut, Washer
	HSB1 8A490K	4	1 Repl. Axle Seat Bolt, Lock Nut,Washer
9	341248	2	Nut, Jam 3/4"-16
8	1955-4000-1K	1	RH Pull Arm Assembly
7	1955-3000-1K	1	LH Pull Arm Assembly
[Pull Arm Assemblies Include all Bushings, Bolts, Wear Washer, and Nuts]			
6	1955-2000K	1	RH Hanger Assembly
5	1955-1000K	1	LH Hanger Assembly
[Hanger Assemblies Include Two Sliding Alignment Collars]			
4	1750-1011	4	Pull Arm Hardened Washer
3	1455-6000	1	Crossmember
2	1455-5000-1	2	Axle Seat Assembly
1	421-01-9000	4	Sliding Alignment Collar



SILENT DRIVE, INC.		1380 ARIZONA PLACE DORADO CITY, IA 50841	
AA-1955-0001			
DRAWN	DJD	DESIGN	03 MATERIAL
CHK'D			
WF	G		
QA			
ENGR'G			
PR'D			
APP'D			
		SHEET 1 OF 1	
		C AA-1955-0001	

AA-270-TR Suspension

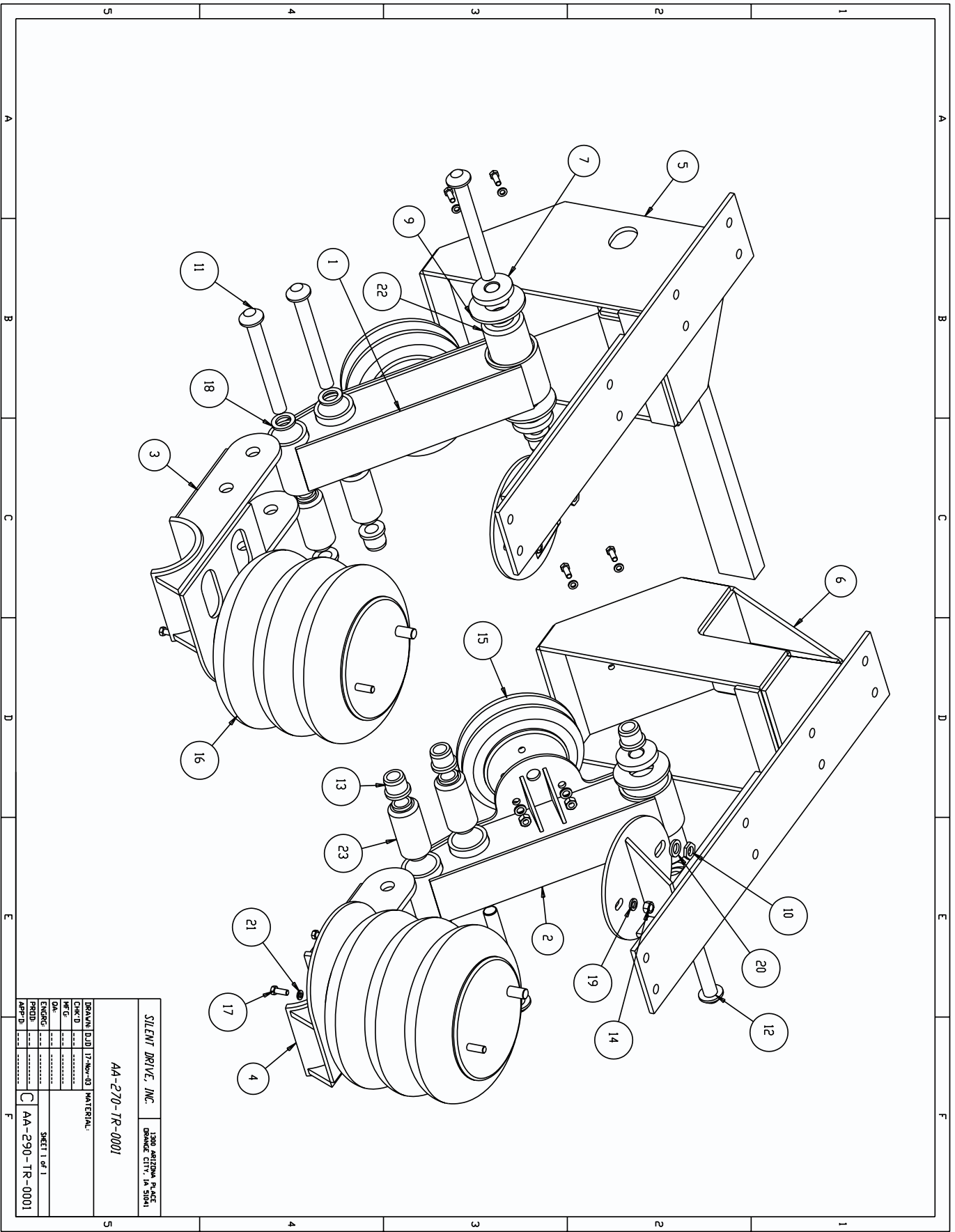
	PART NO:	QUANTITY	DESCRIPTION
23	PB-5000	4	Axle Seat Bushings
	PB-5000K	1	4 Axle Seat Bushings, Bolts & Lock Nut
22	PB-3000	2	Pull Arm Bushing
	PB-3000K	1	2 Pull Arm Bushings, Bolts,
			Lock Nuts & 4 Wear Washers
21	LW 38ZV	8	3/8" Lock Washer
20	LW 34ZV	2	3/4" Lock Washer
19	LW 12ZV	6	1/2" Lock Washer
18	HWX18	4	1 1/8" Washer
17	HCC6 16Z	8	Bolt 3/8-16 x 1" HX Cap Gr. 5 Z
16	AS-8027	2	Airspring, Suspension
15	AS-6882	2	Lift Airspring
14	8C8DZD	6	1/2-13 UNC Hex Nut Gr. 8
13	100RXSC5	6	Huck Spin Collar
12	100R662XST8	2	1"x 9 1/4" Huck Bolt
11	100R618XST8	4	1" x 8 3/4" Huck Bolt
	AC1 95K	2	1 Repl. Pull Arm Bolt, Lock Nut, Washer
	HSB1 8A490K	4	1 Repl. Axle Seat Bolt, Lock Nut,Washer
10	341248	2	Nut, Jam 3/4"-16
9	1750-1011	4	Pull Arm Hardened Washer
8	1455-6000	1	Crossmember
7	421-01-9000	4	Collar, Sliding Alignment
6	270-TR-2000K	1	RH Hanger Assembly
5	270-TR-1000K	1	LH Hanger Assembly
(Hanger Assemblies Include Two Sliding Alignment Collars)			
4	270-6000	1	RH Axle Seat Assembly
3	270-5000	1	LH Axle Seat Assembly
2	230-4000K	1	RH Pull Arm Assembly
1	230-3000K	1	LH Pull Arm Assembly
(Pull Arm Assemblies Include All Bushings, Bolts, Wear Washers, And Nuts)			



SILENT DRIVE, INC.		1380 ARIZONA PLACE BRANDS CITY, LA 51841	
AA-270-TR-0001			
DRAWN	DJD	17-Nov-03	MATERIAL
CHK'D			
WF G			
QA			
ENGR'G			
PR'D			
APP'D			
		SHEET 1 OF 1	
		C AA-270-TR-0001	

AA-290-TR Suspension

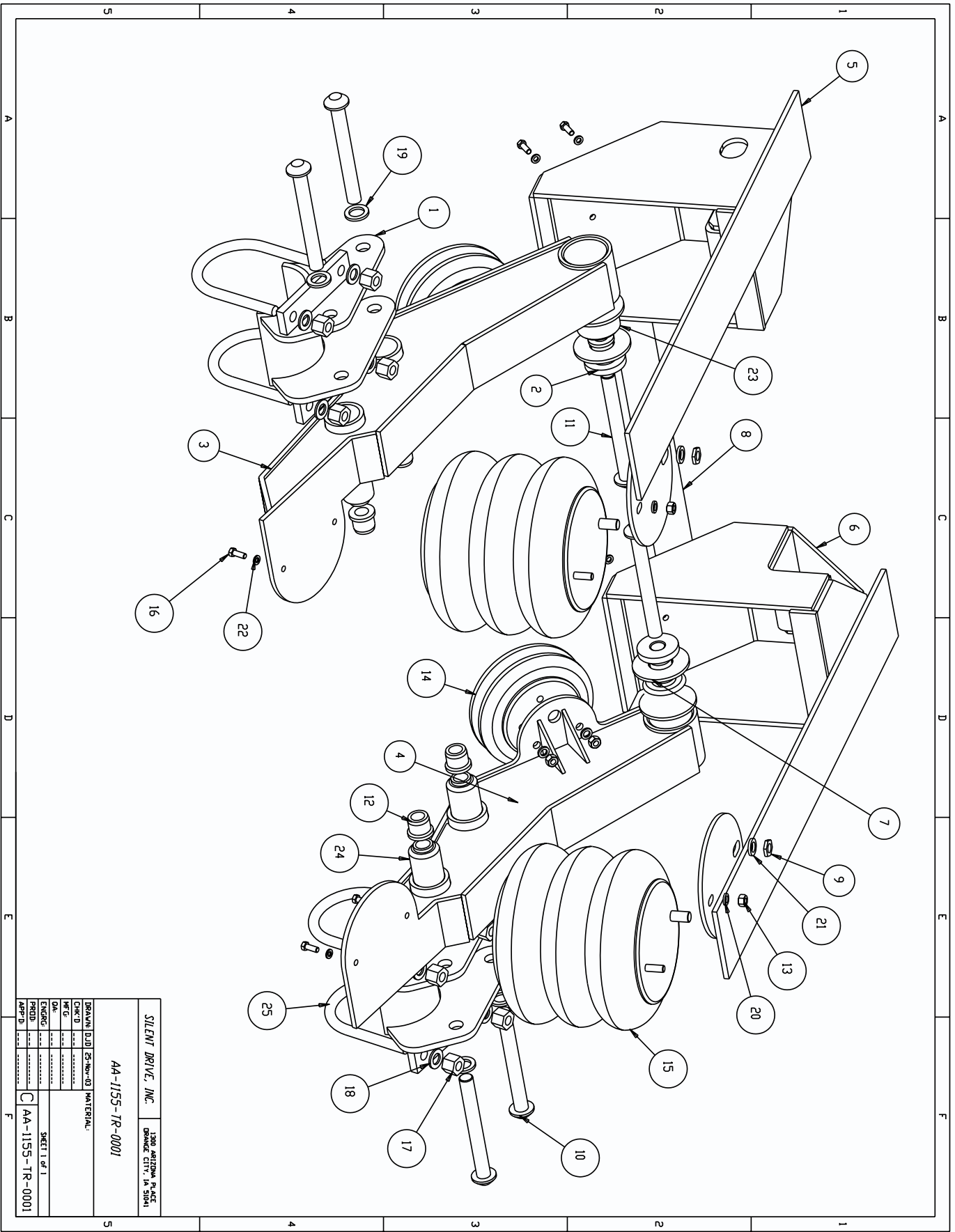
	PART NO:	QUANTITY	DESCRIPTION
23	PB-5000	4	Axle Seat Bushings
	PB-5000K	1	4 Axle Seat Bushings, Bolts & Lock Nut
22	PB-3000	2	Pull Arm Bushing
	PB-3000K	1	2 Pull Arm Bushings, Bolts,
			Lock Nuts & 4 Wear Washers
21	LW 38ZV	8	3/8" Lock Washer
20	LW 34ZV	2	3/4" Lock Washer
19	LW 12ZV	6	1/2" Lock Washer
18	HWX18	4	1 1/8" Washer
17	HCC6 16Z	8	Bolt 3/8-16 x 1" HX Cap Gr. 5 Z
16	AS-8027	2	Airspring, Suspension
15	AS-6882	2	Lift Airspring
14	8C8DZD	6	1/2-13 UNC Hex Nut Gr. 8
13	100RXSC5	6	Huck Spin Collar
12	100R662XST8	2	1"x 9 1/4" Huck Bolt
11	100R618XST8	4	1" x 8 3/4" Huck Bolt
	AC1 95K	2	1 Repl. Pull Arm Bolt, Lock Nut, Washer
	HSB1 8A490K	4	1 Repl. Axle Seat Bolt, Lock Nut, Washer
10	341248	2	Nut, Jam 3/4"-16
9	1750-1011	4	Pull Arm Hardened Washer
8	1455-6000	1	Crossmember
7	421-01-9000	4	Collar, Sliding Alignment
6	290-TR-2000K	1	RH Hanger Assembly
5	290-TR-1000K	1	LH Hanger Assembly
(Hanger Assemblies Include Two Sliding Alignment Collars)			
4	270-6000	1	RH Axle Seat Assembly
3	270-5000	1	LH Axle Seat Assembly
2	230-4000K	1	RH Pull Arm Assembly
1	230-3000K	1	LH Pull Arm Assembly
(Pull Arm Assemblies Include All Bushings, Bolts, Wear Washers, And Nuts)			



SILENT DRIVE, INC.		1380 MARIONA PLACE
AA-270-TR-0001		BRIDGE CITY, LA 70304
DRAWN	DJD	17-Nov-03 MATERIAL
CHK'D		
WF G		
QA		
ENGR'G		
PR'D		
APP'D		
SHEET 1 OF 1		
C AA-290-TR-0001		

AA-1 155-TR Suspension

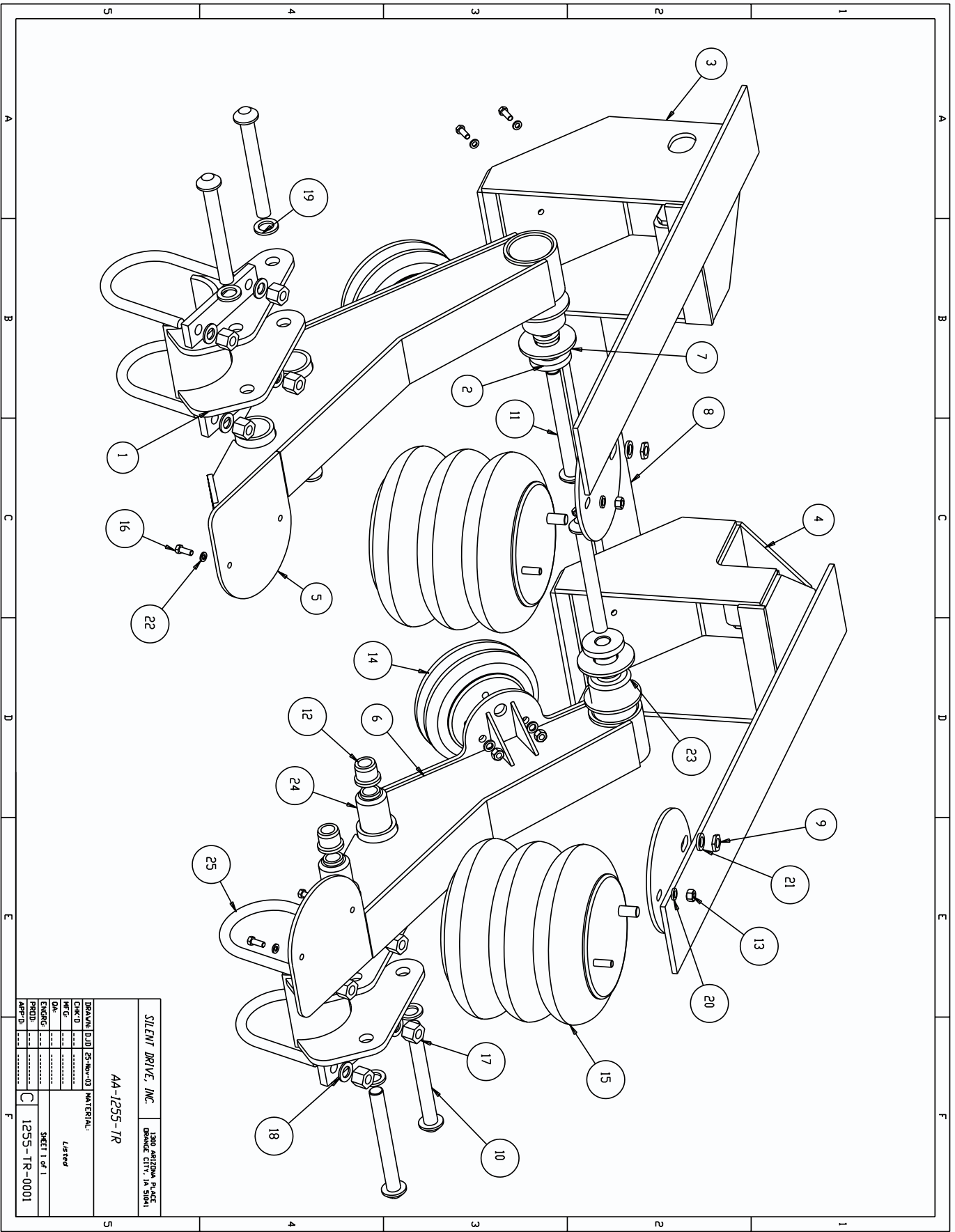
	PART NO:	QUANTITY	DESCRIPTION
25	UB-055	4	U-Bolt 3/4" Dia. X 5 1/4" X 8"
24	PB-5000	4	Axle Seat Bushings
	PB-5000K	1	4 Axle Seat Bushings, Bolts & Lock Nut
23	PB-3000	2	Pull Arm Bushing
	PB-3000K	1	2 Pull Arm Bushings, Bolts, Lock Nuts & 4 Wear Washers
22	LW 38ZV	8	3/8" Lock Washer
21	LW 34ZV	2	3/4" Lock Washer
20	LW 12ZV	6	1/2" Lock Washer
19	HWX18	4	1 1/8" Washer
18	HWX12	8	Washer, 3/4 Extra Thick Hardened
17	HHN12	8	3/4 Hex High Nut
16	HCC6 16Z	8	Bolt 3/8-16 x 1" HX Cap Gr. 5 Z
15	AS-8027	2	Airspring, Suspension
14	AS-6882	2	Lift Airspring
13	8C8DZD	6	1/2-13 UNC Hex Nut Gr. 8
12	100RXSC5	6	Huck Spin Collar
11	100R662XST8	2	1"x 9 1/4" Huck Bolt
10	100R618XST8	4	1" x 8 3/4" Huck Bolt
	AC1 95K	2	1 Repl. Pull Arm Bolt, Lock Nut, Washer
	HSB1 8A490K	4	1 Repl. Axle Seat Bolt, Lock Nut, Washer
9	341248	2	Nut, Jam 3/4"-16
8	1755-6001	1	Crossmember
7	1750-1011	4	Pull Arm Hardened Washer
6	1255-TR-2000K	1	RH Hanger Assembly
5	1255-TR-1000K	1	LH Hanger Assembly
(Hanger Assemblies Include Two Sliding Alignment Collars)			
4	1155-TR1-4000K	1	RH Pull Arm Assembly
3	1155-TR1-3000K	1	LH Pull Arm Assembly
(Pull Arm Assemblies Include All Bushings, Bolts, Wear Washers, And Nuts)			
2	421-01-9000	4	Collar, Sliding Alignment
1	135-5000-1	2	Axle Seat Assembly



SILENT DRIVE, INC.		1380 ARIZONA PLACE
AA-1155-TR-0001		DORNE CITY, LA 70804
DRAWN D.J.D.	25-Nov-03	MATERIAL:
CHK'D		
WF G		
QA		
ENGR'G		
PR'D		
APP'D		
SHEET 1 OF 1		
C AA-1155-TR-0001		

AA-1 255-TR Suspension

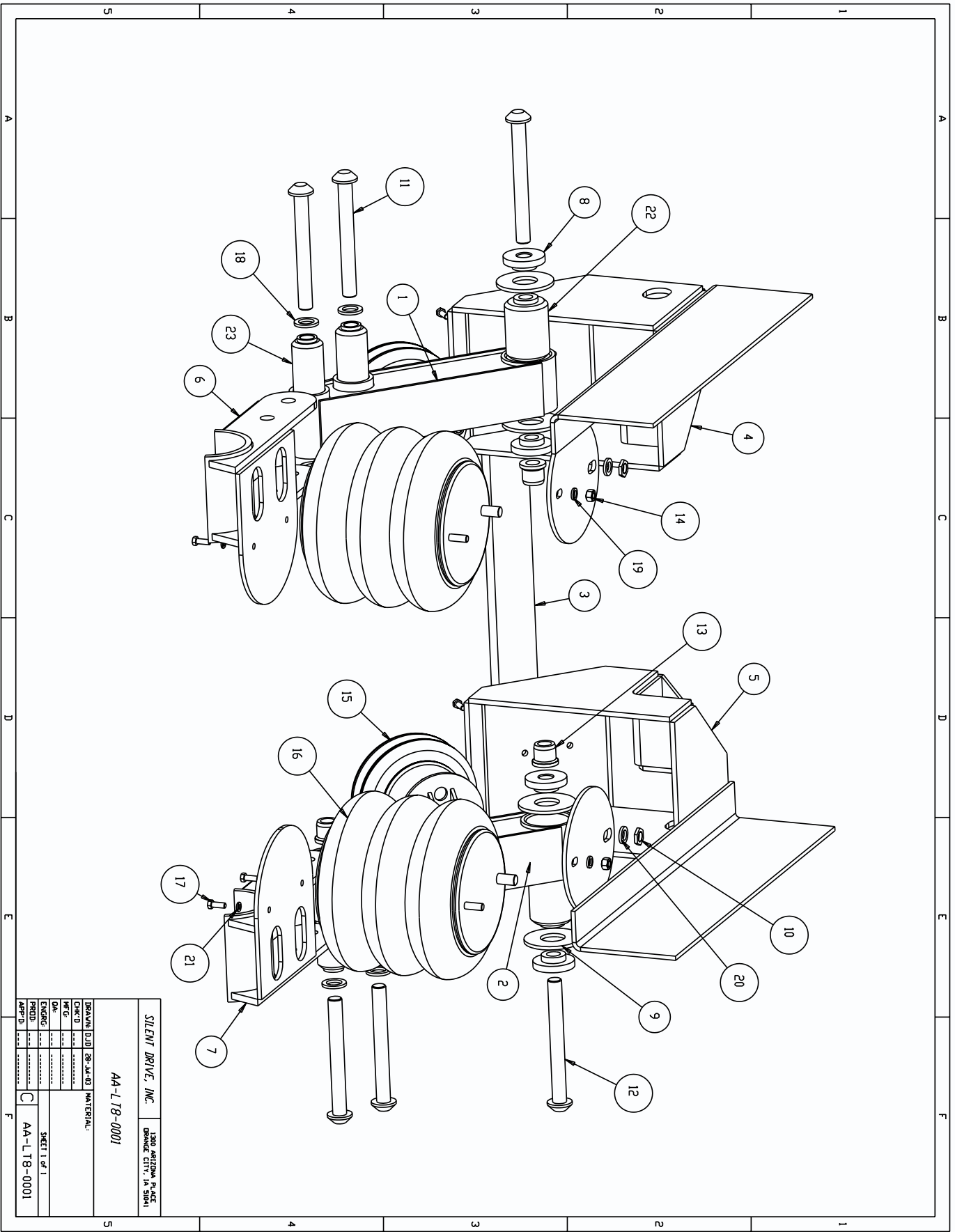
	PART NO:	QUANTITY	DESCRIPTION
25	UB-055	2	U-Bolt 3/4" Dia. X 5 1/4" X 8"
24	PB-5000	4	Axle Seat Bushings
	PB-5000K	1	4 Axle Seat Bushings, Bolts & Lock Nut
23	PB-3000	2	Pull Arm Bushing
	PB-3000K	1	2 Pull Arm Bushings, Bolts, Lock Nuts & 4 Wear Washers
22	LW 38ZV	8	3/8" Lock Washer
21	LW 34ZV	2	3/4" Lock Washer
20	LW 12ZV	6	1/2" Lock Washer
19	HWX18	4	1 1/8" Washer
18	HWX12	8	3/4" Extra Thick Hardened Washer
17	HHN12	8	3/4" Hex High Nut
16	HCC6 16Z	8	Bolt 3/8-16 x 1" HX Cap Gr. 5 Z
15	AS-8027	2	Airspring, Suspension
14	AS-6882	2	Lift Airspring
13	8C8DZD	6	1/2-13 UNC Hex Nut Gr. 8
12	100RXSC5	6	Huck Spin Collar
11	100R662XST8	2	1"x 9 1/4" Huck Bolt
10	100R618XST8	4	1" x 8 3/4" Huck Bolt
	AC1 95K	2	1 Repl. Pull Arm Bolt, Lock Nut, Washer
	HSB1 8A490K	4	1 Repl. Axle Seat Bolt, Lock Nut, Washer
9	341248	2	Nut, Jam 3/4"-16
8	1755-6001	1	Cross Member
7	1750-1011	4	Pull Arm Hardened Washer
6	1255-TR3-4000K	1	RH Pull Arm Assembly
5	1255-TR3-3000K	1	LH Pull Arm Assembly
(Pull Arm Assemblies Include All Bushings, Bolts, Wear Washers, And Nuts)			
4	1255-TR-2000K	1	RH Hanger Assembly
3	1255-TR-1000K	1	LH Hanger Assembly
(Hanger Assemblies Include Two Sliding Alignment Collars)			
2	421-01-9000	4	Collar , Sliding Alignment
1	135-5000-1	2	Axle Seat Assembly



SILENT DRIVE, INC.		1380 MARION PLACE
AA-1255-TR		BRIDGE CITY, LA 70304
DRAWN D.J.D.	25-Nov-03	MATERIAL
CHK'D		LIBREV
ENG'G		
APP'D		
APP'D		
SHEET 1 OF 1		
C 1255-TR-0001		

LT-8 Suspension

	PART NO:	QUANTITY	DESCRIPTION
23	PB-5000	4	Axle Seat Bushings
	PB-5000K	1	4 Axle Seat Bushings, Bolts & Lock Nut
22	PB-3000	2	Pull Arm Bushing
	PB-3000K	1	2 Pull Arm Bushings, Bolts,
			Lock Nuts & 4 Wear Washers
21	LW 38ZV	8	3/8" Lock Washer
20	LW 34ZV	2	3/4" Lock Washer
19	LW 12ZV	6	1/2" Lock Washer
18	HWX18	4	1 1/8" Washer
17	HCC6 16Z	8	Bolt 3/8-16 x 1" HX Cap Gr. 5 Z
16	AS-8027	2	Airspring, Suspension
15	AS-6882	2	Lift Airspring
14	8C8DZD	6	1/2-13 UNC Hex Nut Gr. 8
13	100RXSC5	6	Huck Spin Collar
12	100R662XST8	2	1"x 9 1/4" Huck Bolt
11	100R618XST8	4	1" x 8 3/4" Huck Bolt
	AC1 95K	2	1 Repl. Pull Arm Bolt, Lock Nut, Washer
	HSB1 8A490K	4	1 Repl. Axle Seat Bolt, Lock Nut, Washer
10	341248	2	Nut, Jam 3/4"-16
9	1750-1011	4	Pull Arm Hardened Washer
8	421-01-9000	4	Collar, Sliding Alignment
7	270-6000	1	RH Axle Seat Assembly
6	270-5000	1	LH Axle Seat Assembly
5	270-2000K	1	RH Hanger Assembly
4	270-1000K	1	LH Hanger Assembly
(Hanger Assemblies Include Two Sliding Alignment Collars)			
3	230-INB-6000	1	Cross Member
2	230-4000K	1	RH Pull Arm Assembly
1	230-3000K	1	LH Pull Arm Assembly
(Pull Arm Assemblies Include All Bushings, Bolts, Wear Washer, And Nuts)			



SILENT DRIVE, INC.		1380 ARIZONA PLACE	
AA-LT8-0001		BRIDGE CITY, LA 70814	
DRAWN DJD 28-JUL-83 MATERIAL			
CHK'D	...	SHEET 1 OF 1	
WF'G	...	C AA-LT8-0001	
QA	...	APP'D	
ENGR'G	
PR'D	
APP'D	

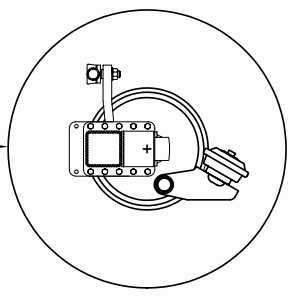
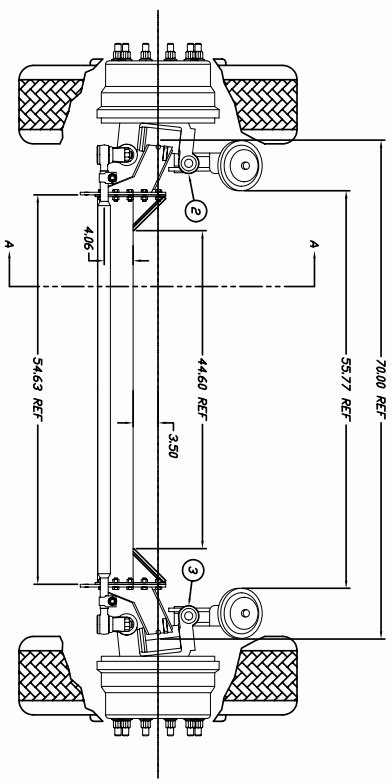
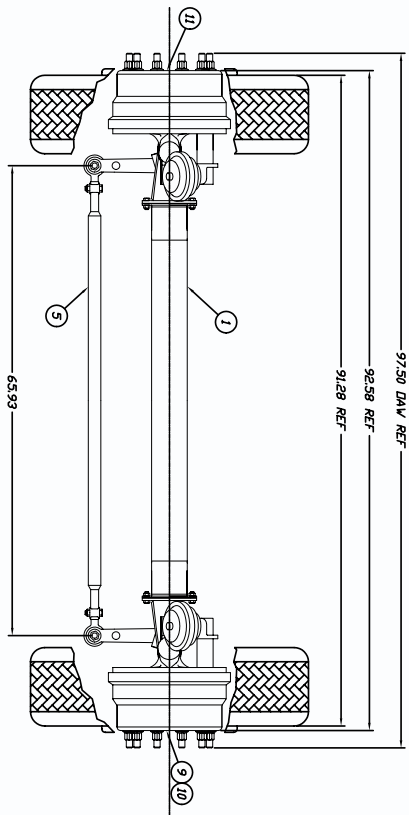
AIR CONTROLS AND VALVING

PART NUMBER	PART DESCRIPTION
2000-000	Air Control Panel
2005-000	Air Control Panel
2010-000	Air Control Panel
PJ-159-C	Air Control Panel
159-100	Panel Housing
159-200	Regulator
159-300	Push Pull Air Switch
159-400	Air Gauge
2517-302	Three Position Flip Switch
B3EOBE547C	Pilot Valve for 2000 Series
SD-8151	Pilot Valve / Norgren
141151-12VDC	N/O Solenoid Valve
2813-000	Brake Protection Check Valve
AC-778A	Pressure Protection Valve
1814-000-B	Quick Release Valve
1814-000-BP	Quick Release Valve with Plug
104161 R-12	Brake Relay Valve
BM-28 1/4	Bronze Muffler
BM-38 3/8	Bronze Muffler

QUICK REFERENCE AIR SPRINGS

Air Spring Number	Suspension Used On
1B8-560	730
2B9-206 (lift spring)	All Lifiable Suspensions
AS-5429	ALD-320
AS-6800	A-240SNLS
AS-6882 (lift spring)	All Lifiable Suspensions
AS-6948	135
AS-7135	730 Sub For 114, 115
AS-7446	
AS-7447	
AS-7800	114,115,135
AS-7818	272
AS-7839	610,770
AS-8025	PRE 11/97 Triple Convolute 1455
AS-8027	After 11/97 1455,230,270,235,290,721,727
AS-8038	1355
AS-8997	ATR-365
AS-9070	ALD-334,242,241
AS-9082	ALD-330 Series
AS-9250	800 Series
AS-9320	165,517,552,255
1R10-088	ALD-305

SSAX-12702--XXXXX SSAX AXLE 70" SPACING P/N TABLE	
PART NUMBER	DESCRIPTION
-0002	W/D HUB & DRUM
-0003	STUD PILOTED
-0004	HUB PILOTED
-0005	W/20" CAST SPOKE



QTY.	PART NO.	DESCRIPTION	UNIT
1	11	HUB/DRUM STUD PILOTED LH WESTPORT	EA
2	9560FEZK	WHEEL DRUM & SPOKE WESTPORT	EA
2	143692-0130	HUB/DRUM HUB PILOTED WESTPORT	EA
1	10	HUB/DRUM STUD PILOTED RH WESTPORT	EA
2	9	143666-0014	EA
2/4	2/4	HUB CAP/GASKET WESTPORT	EA
2/4	8	CAM89-55	PT
7	143687-0194	DIL. 80W-90 GEAR LUBE	EA
6	143687-0193	RH BRAKE 15" x 4"	EA
5	SSAX-12612-2000	LH BRAKE 15" x 4"	EA
4	143698-0049	LITE ROD ASSY	EA
3	143698-0043	RH ROD ASSY	EA
2	143698-0042	LH ROD ASSY	EA
1	SSAX-12702-0001	AXLE BEAM ASSEMBLY, 70" KINGPIN	EA

- NOTES:
 1. HUB PILOTED DRUMS SHOWN.
 2. WHEEL SIZE 17" x 7" x 3.5" RECOMMENDED.
 3. AXLE CAPACITY 13,000 LBS.
 4. MAXIMUM TURN 33°.
 5. RIM ACQUIDE #29195 (64" OFFSET) SHOWN FOR REFERENCE.
 6. ITEM #4, 6 & 7 USED IN BRAKE ASSEMBLY. REFER TO MANUFACTURER'S SPECIFICATIONS.

ISSUE: REVISION: DATE: 70" AXLE-SSAX
 13,000 LBS. CAPACITY
 1 PLACE DEC 00 2000
 2 PLACE DEC 00 2000
 3 PLACE DEC 00 2000
 SCALE: 1" = 12" REF.

A B C D E F